

Site Accessibility Evaluation



Jail and Sherriff's Office

**511 S Capitol St
Longfellow, IA 52240**

ADA Only

Inspection Date: 11/29/2018

Inspector: Shelley Zuniga

Prepared By

WT Group

Engineering with Precision, Pace & Passion.

(224) 293 - 6451

www.wtengineering.com

February 3, 2019

Donna Brooks
Grants Assistant
Johnson County
913 S. Dubuque St.
Iowa City, IA, 52240

Dear Donna:

Thank you for the opportunity to be of service to you by performing an accessibility evaluation for the Jail and Sherriff's Office located at 511 S Capitol St, Longfellow, IA, 52240. The facility was inspected on 11/29/2018.

We recommended that all barriers that are identified in this evaluation recommended in one of the phases below, be removed as soon as possible. A transition plan should be developed to assist in planning the removal of all barriers. To help with this, we have identified all barriers on a finding by finding basis with a phase identifier as follows:

1 (Phase 1): Should be completed immediately. This category includes findings that have little or no cost, were in violation of the codes at the time of construction, or pose an imminent safety threat.

2 (Phase 2): Should be completed as soon as possible. Includes findings that would remove barriers to the greatest number of people to your goods and services and finding new to the technical standards such as recreation elements

3 (Phase 3): Should be completed as soon as possible, but there may be other items that will provide greater access to persons with disabilities. This category includes findings that have a high financial impact on the entity, are subject to standards not yet final, or involve a partner entity.

4 (Option): Not necessary to complete, because other sites exist that meet Title II requirements for program access, or retrofit is technically infeasible, or variance is a construction tolerance.



Engineering • Design • Consulting

5 (Smart Practice): Should be completed but not necessarily required. This category includes findings and or elements that were in compliance with previous editions of the codes and standards but have since changed. This category also includes techniques or elements that are not a part of the federal or state requirements, but are suggested in advisory language, or have been successfully implemented by other entities. Generally, these items are easily modified to provide the greatest degree of access as well as compliance with the most current codes and standards.

We have applied these priorities to the transition plan to create an order of retrofit for Johnson County sites. The transition plan is an Excel document that is easily modified, should circumstances or priorities change for the County. In addition, it is easily searched in many different ways.

Periodic maintenance to ensure continued accessibility is essential in providing a safe and usable environment. Parking lot markings, signage, door opening pressures, and maintaining clear floor space at doors and other elements and fixtures, available to the public, must be part of an ongoing maintenance schedule.

If you have any questions regarding this report or would like to schedule a meeting with myself and your architect, attorney, or contractor, please feel free to contact me.

Sincerely,

Shelley Zuniga
Shelley Zuniga

Parking

Lat: 41.6549310000, Long: -91.5365244000

Finding: 1

The access aisle is not a minimum 5 feet wide.

A car accessible parking stall's access aisle must be a minimum of 5 feet wide measured from centerline to centerline.

Where the access aisle is not adjacent to another parking space or access aisle, measurements shall be permitted to include the full width of the line defining the access aisle.

Citation:

2010 ADAS Section: 502.3.1

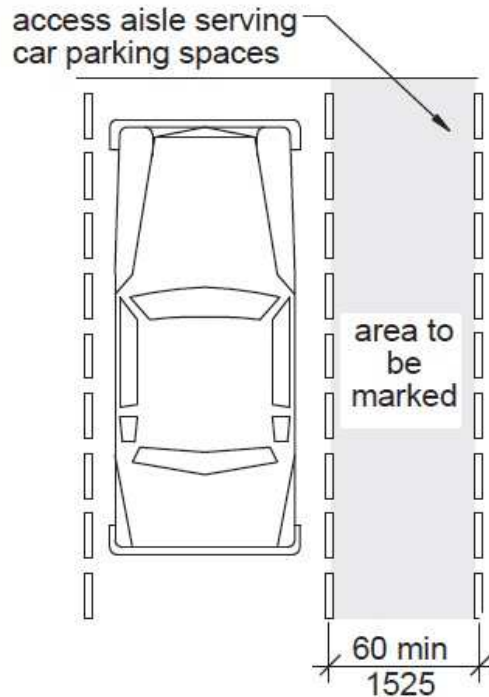
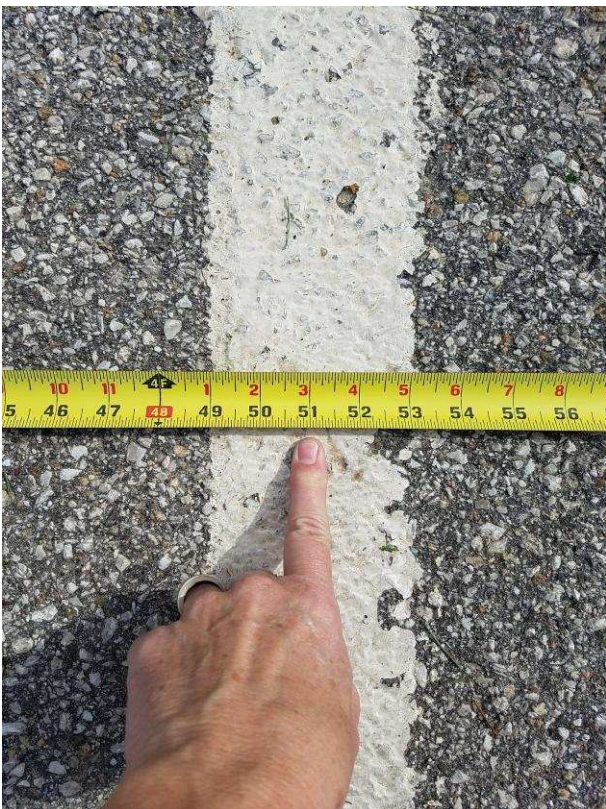
1991 ADAS Section: 4.1.2

As Built:

access aisle 51"

Recommendation:

Repaint access aisles to be 5' each



Finding #1 Additional Finding Photos



Parking

Lat: 41.6549310000, Long: -91.5365244000

Finding: 2

The cross slopes (narrow dimension) and/or running slopes (long dimension) of the accessible stall exceeds 2%.

The running slope and the cross slope in an accessible parking stall and the access aisle must not exceed 2%.

Citation:

2010 ADAS Section: 502.4

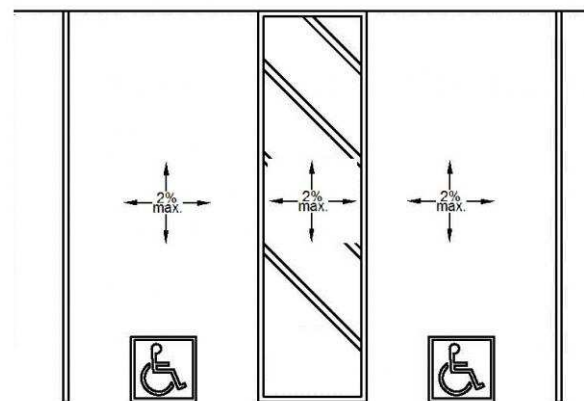
1991 ADAS Section: 4.6.3

As Built:

5.1% and 5.2%

Recommendation:

Correct or repair slope of stall to max 2.08% in any direction



Finding #2 Additional Finding Photos



Parking

Lat: 41.6549310000, Long: -91.5365244000

Finding: 3

The cross slopes (narrow dimension) and/or running slopes (long dimension) of the access aisle exceeds 2%.

The running slope and the cross slope in an accessible parking stall and the access aisle must not exceed 2%.

Citation:

2010 ADAS Section: 502.4

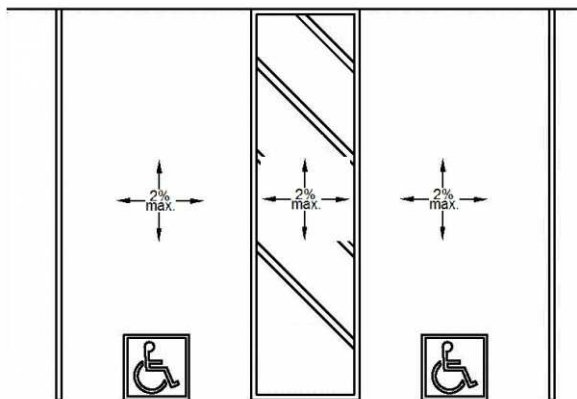
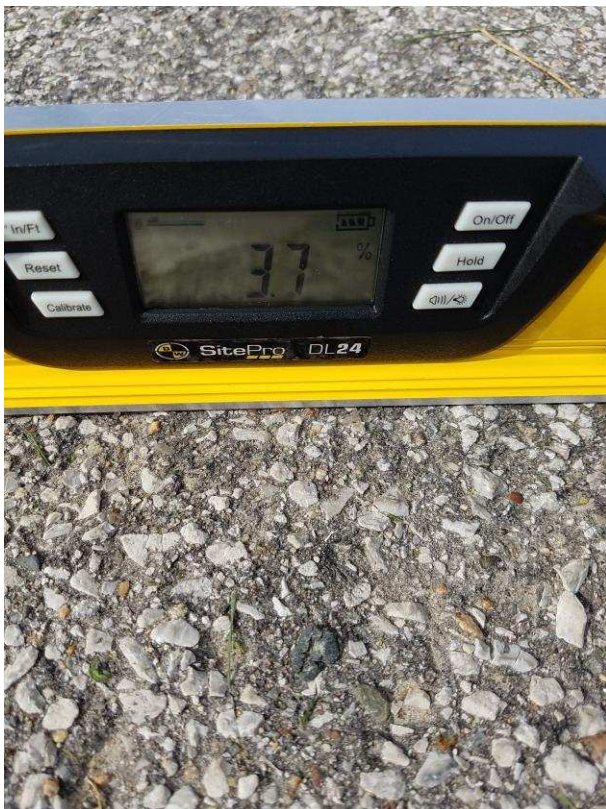
1991 ADAS Section: 4.6.3

As Built:

3.7% in AA and cracks

Recommendation:

Repair or correct slope of parking space and access aisle to max 2.08% in any direction



Finding #3 Additional Finding Photos



Parking

Lat: 41.6549310000, Long: -91.5365244000

Finding: 4

The parking sign is mounted too low.

Parking space identification signs shall include the International Symbol of Accessibility complying with. Signs identifying van parking spaces shall contain the designation "van accessible." Signs shall be 60 inches minimum above the finish floor or ground surface measured to the bottom of the sign.

Citation:

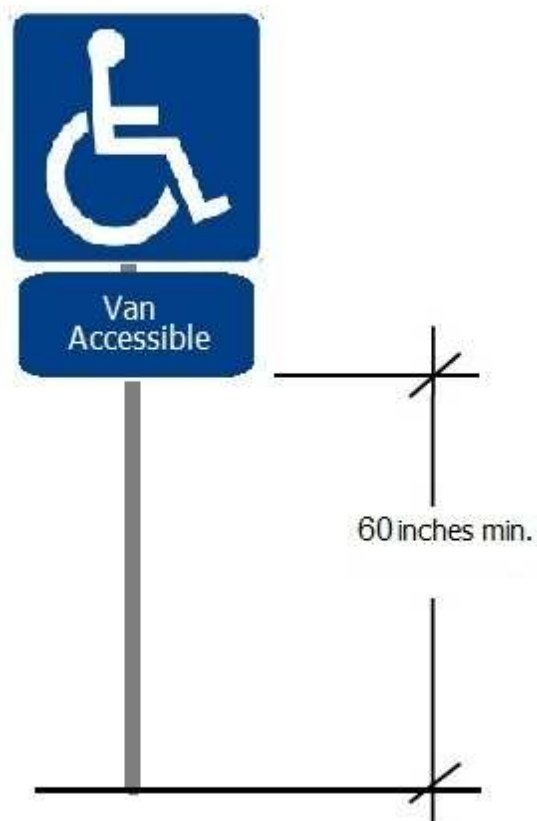
2010 ADAS Section: 502.6

As Built:

signage at 54.75" and not R7-8

Recommendation:

Raise existing accessible parking signs so lowest end of bottom sign is min 60" aff a R7-8 sign



Finding #4 Additional Finding Photos



IAR

Lat: 41.6549300000, Long: -91.5365200000

Finding: 5

Element meets all standards and requirements

Citation:

2010 ADAS Section: 216.3, 703

As Built:

entry signage
complies

Recommendation:

None

IAR

Lat: 41.6549300000, Long: -91.5365200000

Finding: 6

The knob is not accessible because it requires tight grasping, pinching or twisting of the wrist.

Citation:

2010 ADAS Section: 309.4

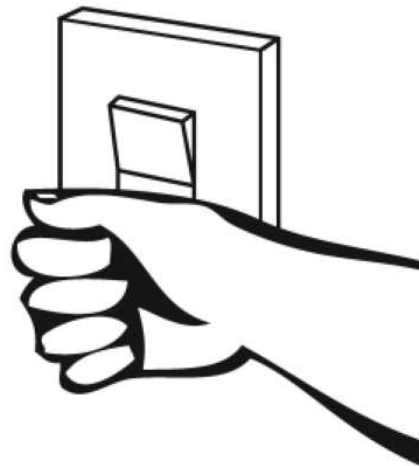
1991 ADAS Section: 4.27.4

As Built:

knobs in hall, are also high 67" high 67"

Recommendation:

Replace knob with an operable part usable without a tight pinch or grasp, mounted to max 48"



Finding #6 Additional Finding Photos



IAR

Lat: 41.6549300000, Long: -91.5365200000

Finding: 7

The total number of drinking fountains are not equally divided between those that are accessible to wheelchair users and those that are available to standing persons.

Where more than two are provided, 50 percent of the total number of drinking fountains provided shall be accessible to wheelchair users and 50 percent available to standing persons.

Citation:

2010 ADAS Section: 211.3

As Built:

drinking fountain by
M RR lacks high bowl

Recommendation:

Replace one fountain to provide 50/50 split between hi and lo bowl fountains



IAR

Lat: 41.6549300000, Long: -91.5365200000

Finding: 8

The stairway only has a handrail on one side.

Stairways must have handrails on both sides.

Handrails and their extensions must be between 34 inches and 38 inches above the stair nosing or ground.

The top handrails shall extend a minimum of 12 inches beyond the top nosing and shall be parallel with the floor or ground surface. At the bottom of a stair flight, handrails shall extend at the slope of the stair flight for a horizontal distance at least equal to one tread depth beyond the last riser nosing. Extension shall return to a wall, guard, or the landing surface, or shall be continuous to the handrail of an adjacent stair flight.

The orientation of at least one handrail, including the extension, shall be in the direction of the run of the stair and perpendicular to the direction of the stair nosing. Handrail gripping surfaces with a circular cross section shall have an outside diameter of 1-1/4 inches minimum and 2 inches maximum. Handrail gripping surfaces with a non-circular cross section shall have a perimeter dimension of 4 inches minimum and 6 1/4 inches maximum, and a cross-section dimension of 2-1/4 inches maximum. The hand grip portion of handrails shall have a smooth surface with no sharp corners. Gripping surfaces (top or sides) shall be uninterrupted by newel posts, other construction elements or obstructions. Any wall or other surface adjacent to the handrail shall be free of sharp or abrasive elements. Handrails projecting from a wall shall have a space of 1-1/2 inches minimum between the wall and the handrail.

Citation:

2010 ADAS Section: 505.2

1991 ADAS Section: 4.9.4

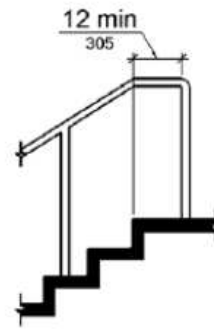
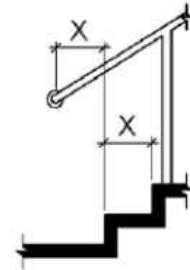
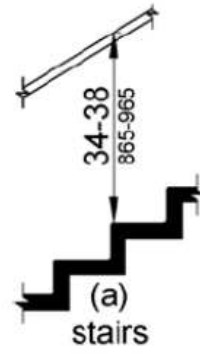
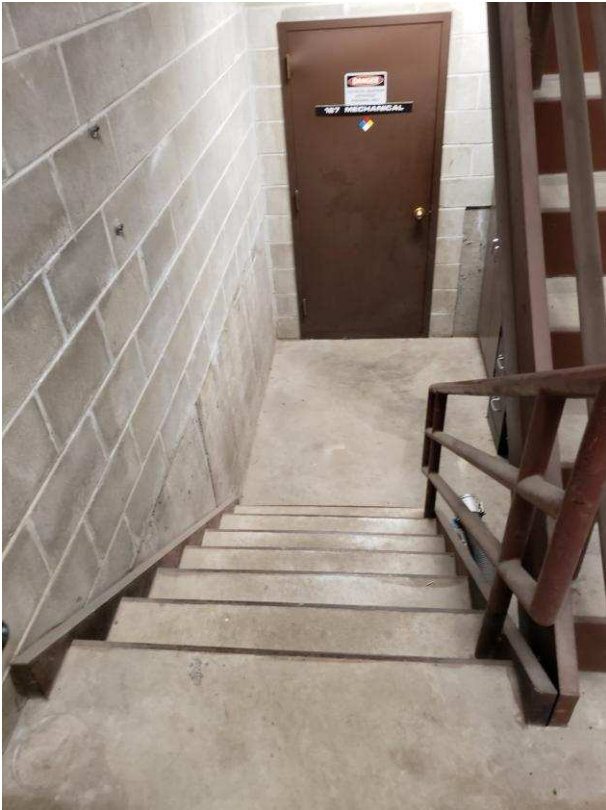
As Built:

south stair down to
mechanical 127- one
side missing

Recommendation:

Install handrails on both sides of stairway, mounted 34" to 38" aff with top and bottom extensions and having a 1.25" – 2" in diameter, or a non-circular grip that has a perimeter dimension of 4"- 6.25" max

Finding #8 Continued



IAR

Lat: 41.6549300000, Long: -91.5365200000

Finding: 9

The handrail does not have a compliant extension at the bottom of the stair flight.

At the bottom of a stair flight, handrails shall extend at the slope of the stair flight for a horizontal distance at least equal to one tread depth beyond the last riser nosing. Extension shall return to a wall, guard, or the landing surface, or shall be continuous to the handrail of an adjacent stair flight.

Citation:

2010 ADAS Section: 505.10.3

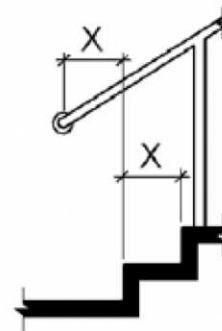
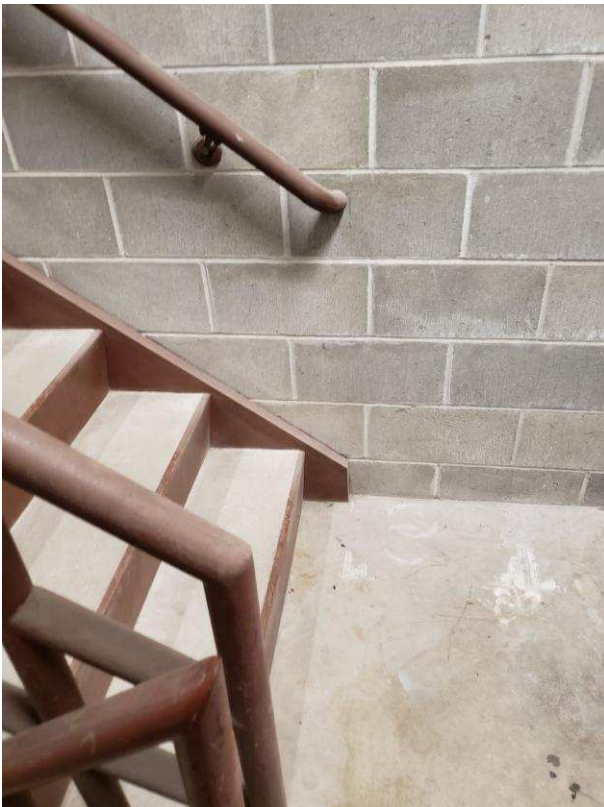
1991 ADAS Section: 4.9.4

As Built:

south- fails to extend

Recommendation:

Install handrails on both sides of stairway, mounted 34" to 38" aff with top and bottom extensions and having a 1.25" – 2" in diameter, or a non-circular grip that has a perimeter dimension of 4"- 6.25" max



Note: X = tread depth

Figure 505.10.3 Bottom Handrail Extension at Stairs

IAR

Lat: 41.6549300000, Long: -91.5365200000

Finding: 10

The inside handrail is not continuous.

Handrails shall be continuous within the full length of each stair flight. Inside handrails on switchback or dogleg stairs shall be continuous between flights.

Citation:

2010 ADAS Section: 505.3

1991 ADAS Section: 4.9.4

As Built:

south- fails to
continue

Recommendation:

Install handrails on inside of stairway, mounted 34" to 38" aff with continuous rails around turn



IAR

Lat: 41.6549300000, Long: -91.5365200000

Finding: 11

The handrail does not have the required extension at the top of the stair flight.

At the top of a stair flight, handrails shall extend horizontally above the landing for 12 inches minimum beginning directly above the first riser nosing. Extensions shall return to a wall, guard, or the landing surface, or shall be continuous to the handrail of an adjacent stair flight.

Citation:

2010 ADAS Section: 505.10.2

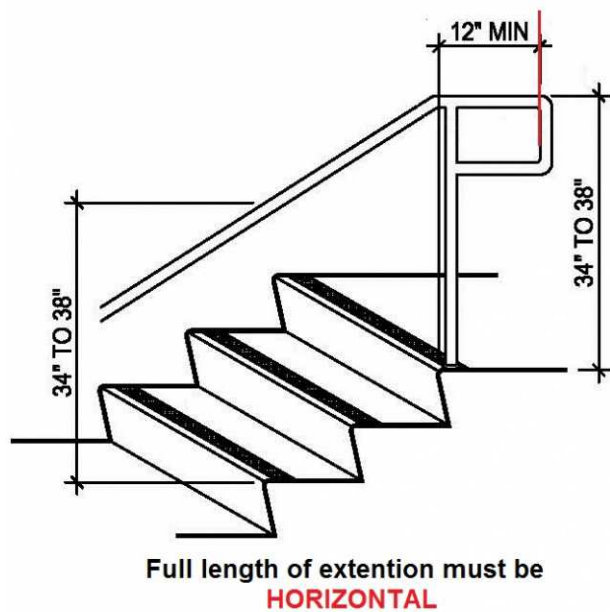
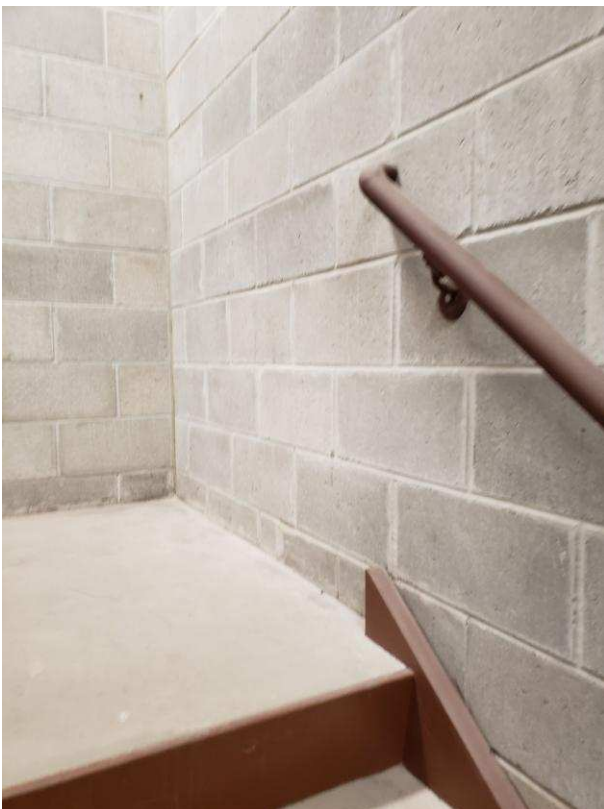
1991 ADAS Section: 4.9.4

As Built:

south- fails to extend

Recommendation:

See earlier recommendation for bottom extension



IAR

Lat: 41.6549300000, Long: -91.5365200000

Finding: 12

The handrail does not have a compliant extension at the bottom of the stair flight.

At the bottom of a stair flight, handrails shall extend at the slope of the stair flight for a horizontal distance at least equal to one tread depth beyond the last riser nosing. Extension shall return to a wall, guard, or the landing surface, or shall be continuous to the handrail of an adjacent stair flight.

Citation:

2010 ADAS Section: 505.10.3

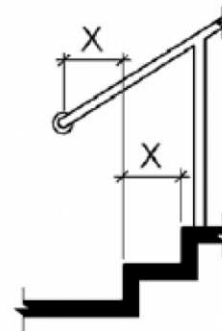
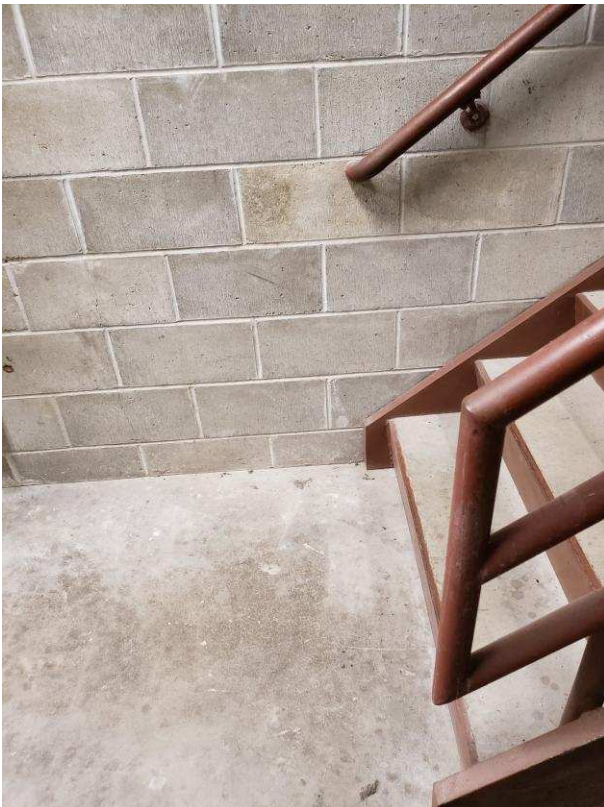
1991 ADAS Section: 4.9.4

As Built:

north- fails to extend

Recommendation:

Install handrails on both sides of stairway, mounted 34" to 38" aff with top and bottom extensions and having a 1.25" – 2" in diameter, or a non-circular grip that has a perimeter dimension of 4"- 6.25" max



Note: X = tread depth

Figure 505.10.3 Bottom Handrail Extension at Stairs

IAR

Lat: 41.6549300000, Long: -91.5365200000

Finding: 13

The inside handrail is not continuous.

Handrails shall be continuous within the full length of each stair flight. Inside handrails on switchback or dogleg stairs shall be continuous between flights.

Citation:

2010 ADAS Section: 505.3

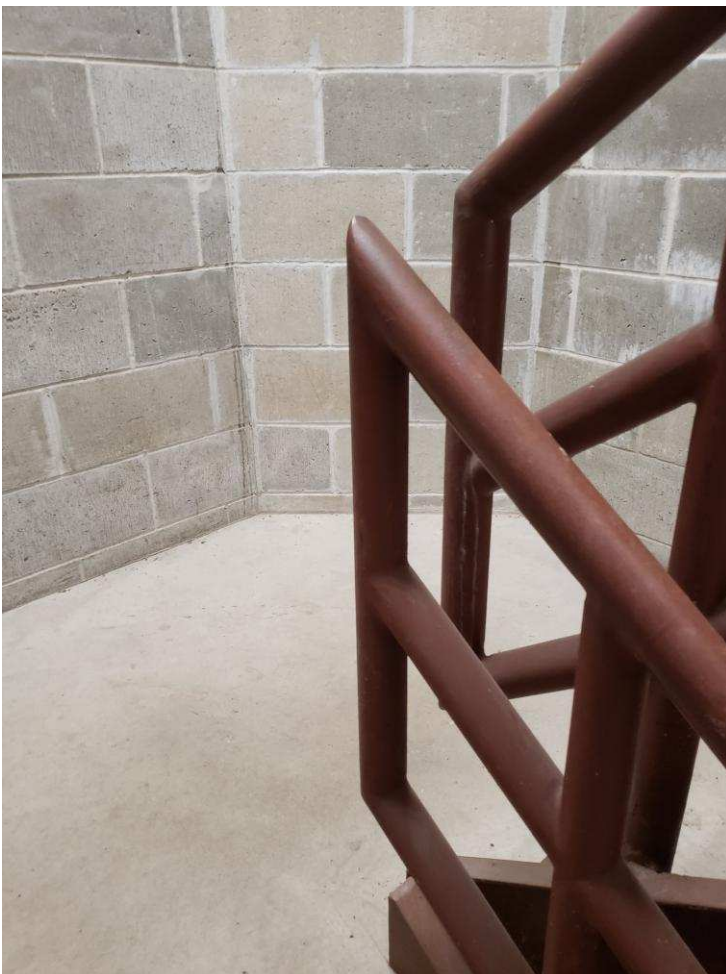
1991 ADAS Section: 4.9.4

As Built:

north- fails to
continue

Recommendation:

Install handrails on inside of stairway, mounted 34" to 38" aff with continuous rails around turn



IAR

Lat: 41.6549300000, Long: -91.5365200000

Finding: 14

The handrail does not have the required extension at the top of the stair flight.

At the top of a stair flight, handrails shall extend horizontally above the landing for 12 inches minimum beginning directly above the first riser nosing. Extensions shall return to a wall, guard, or the landing surface, or shall be continuous to the handrail of an adjacent stair flight.

Citation:

2010 ADAS Section: 505.10.2

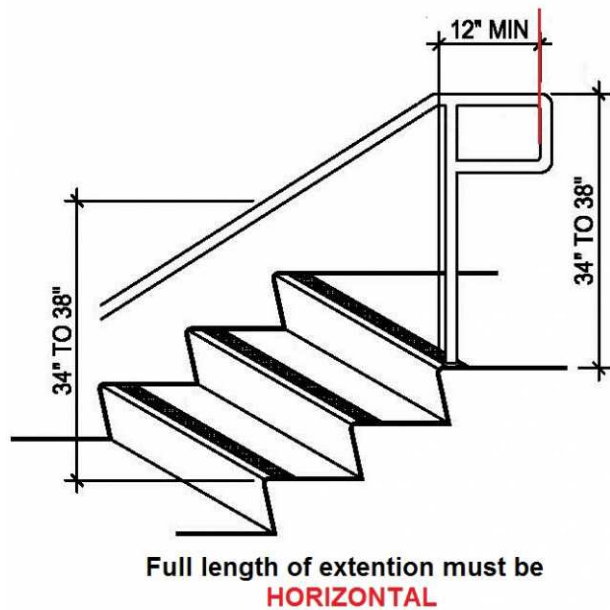
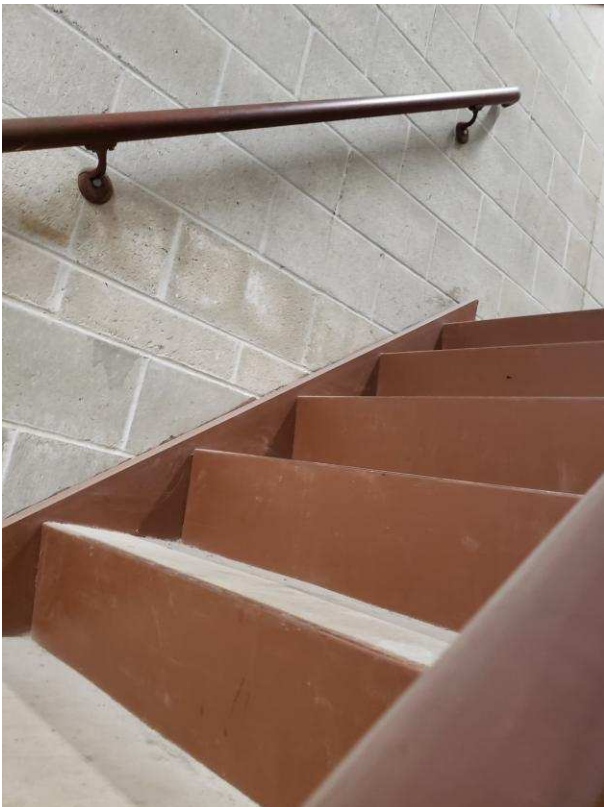
1991 ADAS Section: 4.9.4

As Built:

north- fails to extend

Recommendation:

Install handrails on both sides of stairway, mounted 34" to 38" aff with top and bottom extensions and having a 1.25" – 2" in diameter, or a non-circular grip that has a perimeter dimension of 4"- 6.25" max;p see previous recommendation for bottom extensions



IAR

Lat: 41.6549300000, Long: -91.5365200000

Finding: 15

Element meets all standards and requirements

Citation:

2010 ADAS Section: 702

As Built:

Fire alarms comply

Recommendation:

None

IAR

Lat: 41.6549300000, Long: -91.5365200000

Finding: 16

The door exceeds the maximum pressure to open the door.

Interior doors shall have a maximum opening force of 5 pounds.

These forces do not apply to the force required to retract latch bolts or disengage other devices that hold the door or gate in a closed position. Door closers and gate closers shall be adjusted so that from an open position of 90 degrees, the time required to move the door to a position of 12 degrees from the latch is 5 seconds minimum.

Door and gate spring hinges shall be adjusted so that from the open position of 70 degrees, the door or gate shall move to the closed position in 1.5 seconds minimum.

Citation:

2010 ADAS Section: 404.2.9

1991 ADAS Section: 4.13.11

As Built:

interior entry 15#

Recommendation:

Inspect, adjust, and maintain 5 lbf to open doors



IAR

Lat: 41.6549310000, Long: -91.5365244000

Finding: 17

The elevator audible signal is missing and/or non compliant.

An audible signal shall sound once for the "up" direction and twice for the "down" direction or shall have verbal annunciators that say "up" or "down."

Citation:

2010 ADAS Section: 407.2.2.3

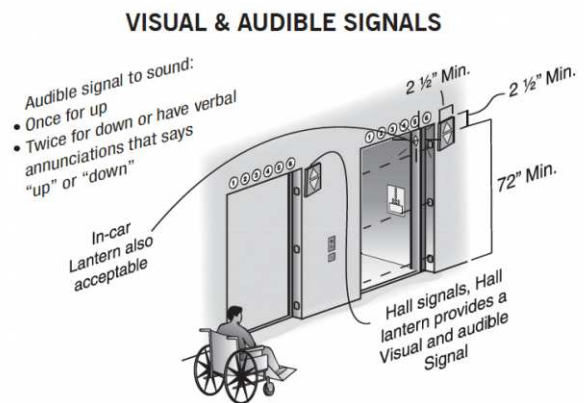
1991 ADAS Section: 4.10.13

As Built:

elevator lacks audible signals

Recommendation:

Program elevator car audible signals to chime once for up and twice for down, or replace audible chimes with verbal enunciators



IAR

Lat: 41.6549310000, Long: -91.5365244000

Finding: 18

The elevator visible signal is missing and/or non compliant.

A visible and audible signal shall be provided at each hoistway entrance indicating to the prospective passenger the car answering the call and its direction of travel as follows:

The visible signal for each direction shall be a minimum of 2-1/2 inches high and visible from the proximity of the hall call button. The centerline of the fixture shall be located a minimum of 72 inches above the lobby floor. The use of in-car lanterns, located in or on the car doorjamb, visible from the proximity of the hall call buttons and conforming to the above requirements, shall be acceptable. The use of arrow shapes is preferred for visible signals.

Citation:

2010 ADAS Section: 407.2.2.2

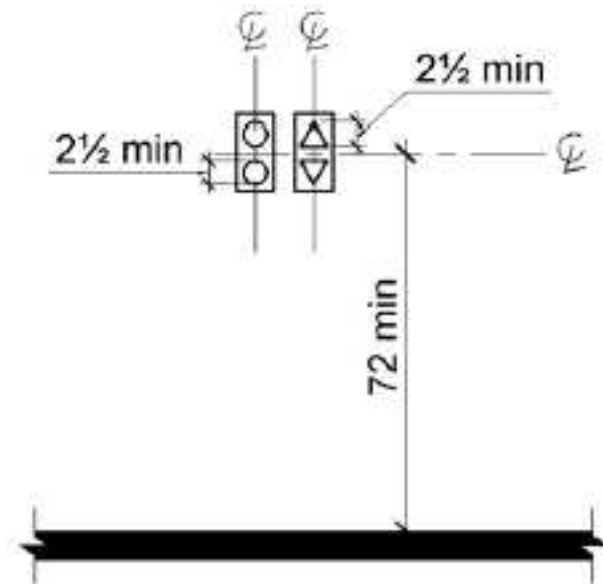
1991 ADAS Section: 4.10.4

As Built:

visible signal doesn't light up

Recommendation:

Repair hoistway visible signal



IAR

Lat: 41.6549310000, Long: -91.5365244000

Finding: 19

The elevator does not have a star on both jambs at the main entry level.

Floor designations shall be provided on both jambs of elevator hoistway entrances. Floor designations shall be provided in both tactile characters and braille. Tactile Characters shall be 2 inches high minimum. A tactile star shall be provided on both jambs at the main entry level.

Citation:

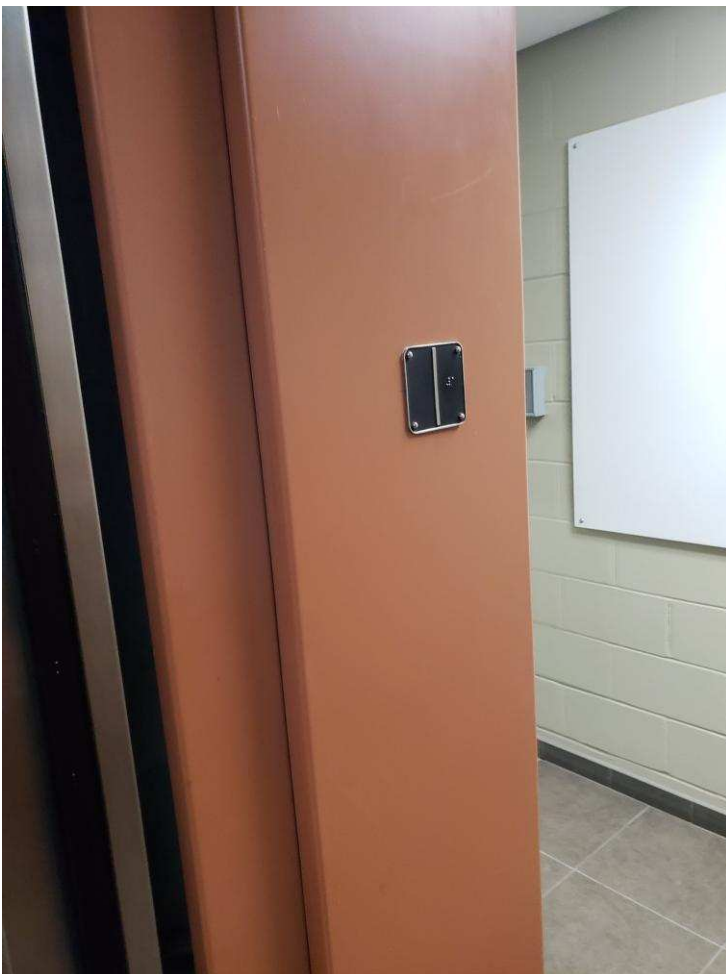
2010 ADAS Section: 407.2.3.1

As Built:

entry floor jamb lacks star

Recommendation:

Provide star symbol on both jambs of elevator at main level



IAR

Lat: 41.6549300000, Long: -91.5365200000

Finding: 20

The ATM is not accessible because there is not adequate clear floor space for either a forward or side approach.

The clear floor or ground space shall be 30 inches minimum by 48 inches minimum.

Citation:

2010 ADAS Section: 305.3

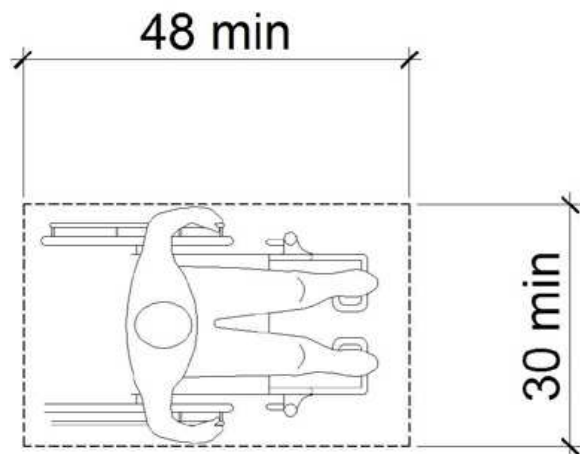
1991 ADAS Section: 4.2.4.1

As Built:

ATM has door swing in CFS

Recommendation:

Remove, or relocate storage in CFS at fixtures and operable parts along the AR or relocate ATM to an location providing 30" by 48" CFS



IAR

Lat: 41.6549300000, Long: -91.5365200000

Finding: 21

Element meets all standards and requirements

Citation:

2010 ADAS Section: 216.2, 703

As Built:

**Permanent space
signage - complies**

Recommendation:

None

IAR

Lat: 41.6549300000, Long: -91.5365200000

Finding: 22

Element meets all standards and requirements

Citation:

2010 ADAS Section: 904.4.1

As Built:

reception counter -
complies

Recommendation:

None

IAR

Lat: 41.6549300000, Long: -91.5365200000

Finding: 23

Element meets all standards and requirements

Citation:

2010 ADAS Section: 404

As Built:

**Int and ext entry
power doors comply**

Recommendation:

None

IAR

Lat: 41.6549300000, Long: -91.5365200000

Finding: 24

Exterior doors are recommended to be maintained at 8.5 lbf as a smart practice. Force is to be measured at the operating hardware or 30 inches from the hinges, whichever is greater.

Citation:

2010 ADAS Section: 404.2.3, 404.2.7, 404.2.4,
404.2.11, 404.2.11 Exception

1991 ADAS Section: 4.13.1

As Built:

Ext manual entry - 16#

Recommendation:

For all doors along the public circulation route, inspect, adjust, and maintain 8.5 lbf to open exterior doors as a smart practice

Women's Restroom Lobby

Lat: 41.6549300000, Long: -91.5365200000

Finding: 25

Element meets all standards and requirements

Citation:

2010 ADAS Section: 216.2, 703

As Built:

signs are compliant

Recommendation:

None

Women's Restroom Lobby

Lat: 41.6549300000, Long: -91.5365200000

Finding: 26

Minimum maneuvering clearances at doors and gates shall comply with 404.2.4. Maneuvering clearances shall extend the full width of the doorway and the required latch side or hinge side clearance.

All interior doors must be maintained so that the operating pressure does not exceed 5 lb. force to open.

The sweep period for doors with closers shall be adjusted so that from an open position of 70 degrees, the door will take at least 3 seconds to move to a point 3 inches from the latch, measured to the leading edge of the door.

Hand-activated door opening hardware, handles, pulls, latches, locks, and other operating devices on accessible doors shall have a shape that is easy to grasp with one hand and does not require tight grasping, tight pinching or twisting of the wrist to operate. Hardware shall be 34 inches minimum and 48 inches maximum above the finish floor or ground.

Citation:

2010 ADAS Section: 404.2.3, 404.2.7, 404.2.4,
404.2.11, 404.2.11 Exception

1991 ADAS Section: 4.13.1

As Built:

knob, 11#, fast, wall
on push

Recommendation:

For all doors along the public circulation route, provide required maneuvering clearance on push and pull side of doors

For all doors along the public circulation route, inspect, adjust, and maintain 5 lbf to open interior doors

For all doors along the public circulation route, inspect, adjust, and maintain closing speed on door closers

Replace hardware with lever hardware or hardware operable without a tight pinch or grasp

Finding #26 Continued



Finding #26 Additional Finding Photos



Women's Restroom Lobby

Lat: 41.6549300000, Long: -91.5365200000

Finding: 27

The faucet controls require twisting of the wrist.

Faucet controls and operating mechanisms shall be operable with one hand and shall not require tight grasping, pinching or twisting of the wrist. The force required to activate controls shall be no greater than 5 lb. Lever-operated, push-type and electronically controlled mechanisms are examples of acceptable designs. Self-closing valves are allowed if the faucet remains open for at least 10 seconds.

Citation:

2010 ADAS Section: 606.4

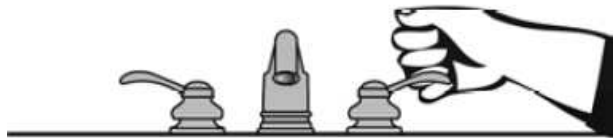
1991 ADAS Section: 4.19.5

As Built:

sink has knob controls

Recommendation:

Replace faucet controls with lever controls



Women's Restroom Lobby

Lat: 41.6549300000, Long: -91.5365200000

Finding: 28

The toilet is not located within the range allowed from the side wall or partition.

The centerline of the toilet must be be 16 to 18 inches from the side wall.

Citation:

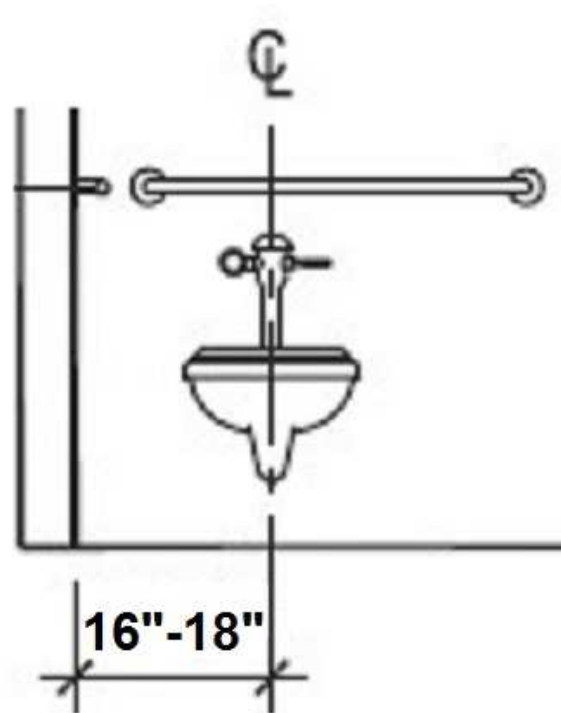
2010 ADAS Section: 604.2

As Built:

22.25" to centerline

Recommendation:

Remount toilet to 16" to 18" from the side wall to centerline



Finding #28 Additional Finding Photos



Women's Restroom Lobby

Lat: 41.6549300000, Long: -91.5365200000

Finding: 29

The rear grab bar is not a minimum 36 inches in length.

Grab bars shall be installed in a horizontal position, 33 inches minimum and 36 inches maximum above the finish floor measured to the top of the gripping surface and the space between the grab bar and the top of the tank (any obstruction) shall be 1-1/2 inches minimum.

Citation:

2010 ADAS Section: 604.5.2

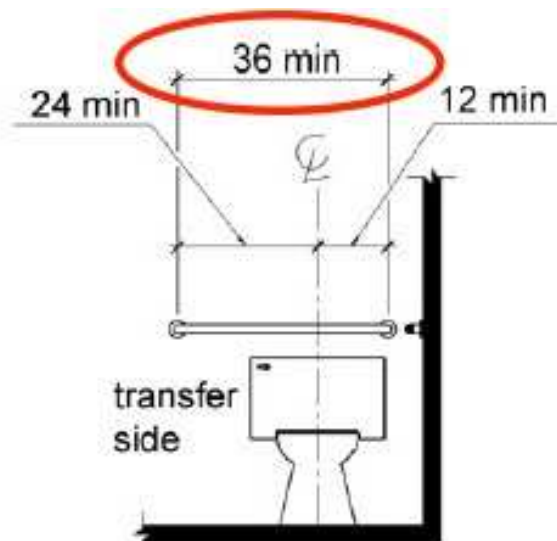
1991 ADAS Section: 4.16.4

As Built:

rear grab bar 24"

Recommendation:

Replace rear grab bar with one 36" long, mounted behind the toilet, 12" to one side of center and 24" to the other and 33" to 36" af



Finding #29 Additional Finding Photos



Women's Restroom Lobby

Lat: 41.6549300000, Long: -91.5365200000

Finding: 30

The side grab bar is not long enough.

The side grab bar must extend at least 54 inches minimum beyond the rear wall and start a maximum of 12 inches from the rear wall. A 42 inch grab bar installed the maximum distance from the rear wall (12 inches) will leave the leading end 54 inches from the rear wall. Grab bars shall be installed in a horizontal position, 33 inches minimum and 36 inches maximum above the finish floor measured to the top of the gripping surface.

Citation:

2010 ADAS Section: 604.5.1

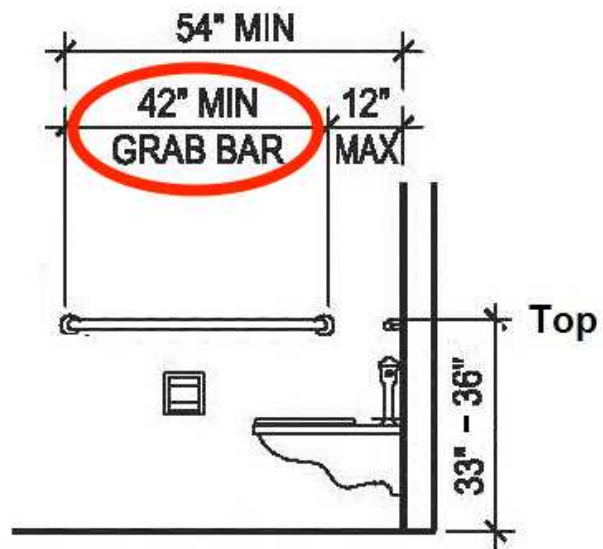
1991 ADAS Section: 4.16.4

As Built:

side bar 36" with TP
above at 9.5", gap
2.5"

Recommendation:

Replace side grab bar with a 42" long grab bar, mounted max 12" from the rear wall at the close end and min 54" on the far end and 33" to 36" aff



Finding #30 Additional Finding Photos



Women's Restroom Lobby

Lat: 41.6549300000, Long: -91.5365200000

Finding: 31

The paper towel dispenser projects more than 4 inches into the circulation path.

Wall-mounted objects that have leading edges between 27 inches and 80 inches from the floor must not project more than 4 inches into the circulation path. Protruding objects that extend to the floor or within 27 inches of the floor are cane detectable and are therefore not hazardous. Where it is necessary or desirable to have objects protrude from the wall, a manner of cane detection must be provided.

Citation:

2010 ADAS Section: 307.2

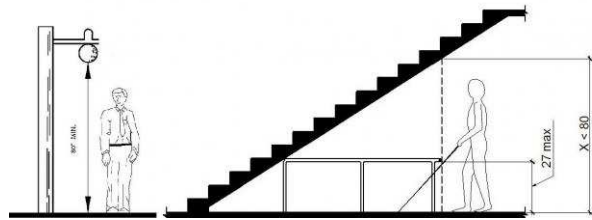
1991 ADAS Section: 4.4.1

As Built:

paper towels 6"

Recommendation:

Relocate protruding objects or place cane detectable warning or bollard at foot of item



Finding #31 Additional Finding Photos



Women's Restroom Lobby

Lat: 41.6549300000, Long: -91.5365200000

Finding: 32

The toilet paper is not installed within the compliant range.

Toilet paper dispensers shall be 7 inches minimum and 9 inches maximum in front of the water closet measured to the centerline of the dispenser. The outlet of the dispenser shall be 15 inches minimum and 48 inches maximum above the finish floor and shall not be located behind grab bars. Dispensers shall not be of a type that controls delivery or that does not allow continuous paper flow. There shall be a clearance of 1 1/2 inches minimum below the grab bar.

Citation:

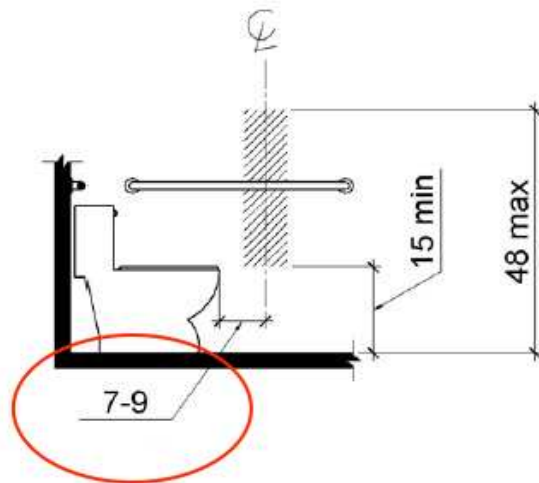
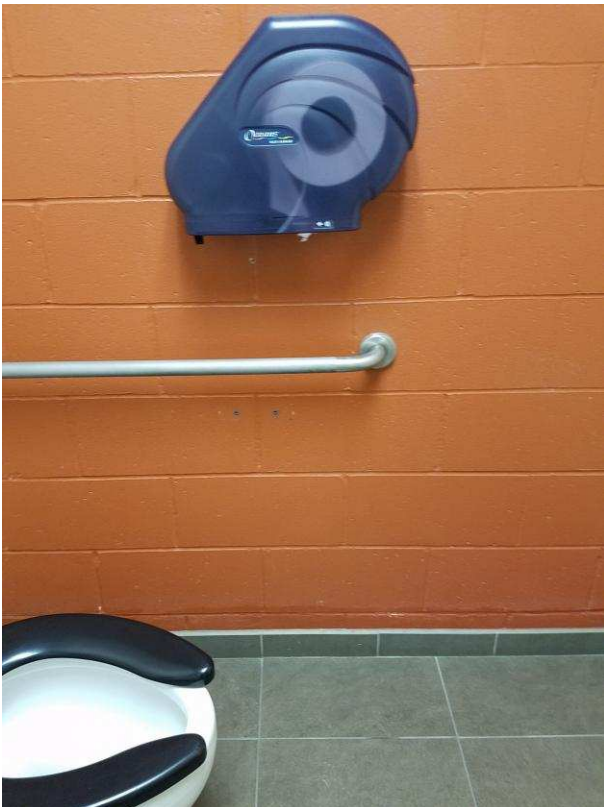
2010 ADAS Section: 604.7

As Built:

too close and above grab bar

Recommendation:

Remount toilet paper dispenser max 7" to 9" from front of toilet, 15" to 48" aff and min 12" above or 1.5" below grab bar



Men's Restroom Lobby

Lat: 41.6549300000, Long: -91.5365200000

Finding: 33

Minimum maneuvering clearances at doors and gates shall comply with 404.2.4. Maneuvering clearances shall extend the full width of the doorway and the required latch side or hinge side clearance.

All interior doors must be maintained so that the operating pressure does not exceed 5 lb. force to open.

Hand-activated door opening hardware, handles, pulls, latches, locks, and other operating devices on accessible doors shall have a shape that is easy to grasp with one hand and does not require tight grasping, tight pinching or twisting of the wrist to operate. Hardware shall be 34 inches minimum and 48 inches maximum above the finish floor or ground.

Citation:

2010 ADAS Section: 404.2.3, 404.2.7, 404.2.4, 404.2.11, 404.2.11 Exception

1991 ADAS Section: 4.13.1

As Built:

knob, 11#, wall on push

Recommendation:

For all doors along the public circulation route, provide required maneuvering clearance on push and pull side of doors

For all doors along the public circulation route, inspect, adjust, and maintain 5 lbf to open interior doors

Replace hardware with lever hardware or hardware operable without a tight pinch or grasp



Finding #33 Additional Finding Photos



Men's Restroom Lobby

Lat: 41.6549300000, Long: -91.5365200000

Wheel: N/A, Direction: N/A

Finding: 34

Element meets all standards and requirements

Citation:

2010 ADAS Section: 305, 306, 603

As Built:

Mens RR sink and mirror comply

Recommendation:

None

Men's Restroom Lobby

Lat: 41.6549300000, Long: -91.5365200000

Finding: 35

The toilet is not located within the range allowed from the side wall or partition.

The centerline of the toilet must be 16 to 18 inches from the side wall.

Citation:

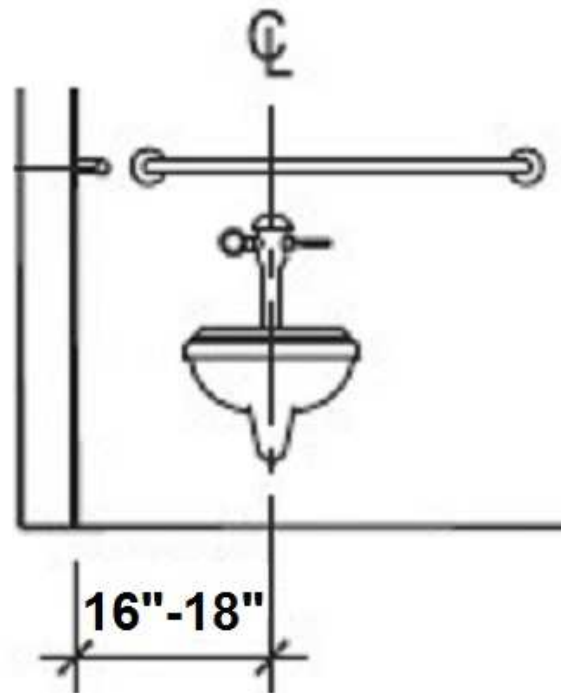
2010 ADAS Section: 604.2

As Built:

22.25" to centerline

Recommendation:

Remount toilet to 16" to 18" from the side wall to centerline



Finding #35 Additional Finding Photos



Men's Restroom Lobby

Lat: 41.6549300000, Long: -91.5365200000

Finding: 36

The rear grab bar is not a minimum 36 inches in length.

Grab bars shall be installed in a horizontal position, 33 inches minimum and 36 inches maximum above the finish floor measured to the top of the gripping surface and the space between the grab bar and the top of the tank (any obstruction) shall be 1-1/2 inches minimum.

Citation:

2010 ADAS Section: 604.5.2

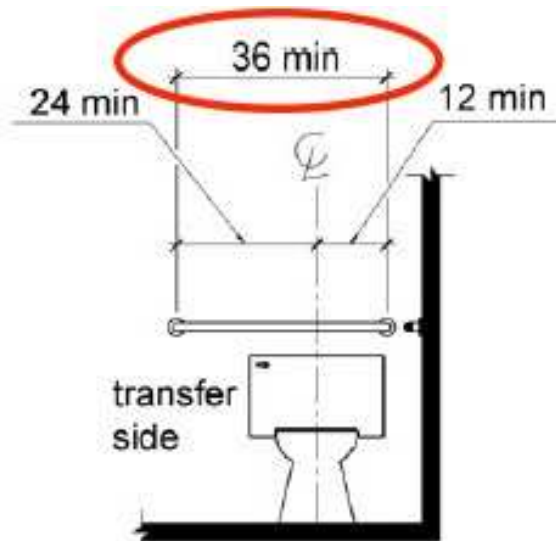
1991 ADAS Section: 4.16.4

As Built:

N/A

Recommendation:

Replace rear grab bar with one 36" long, mounted behind the toilet, 12" to one side of center and 24" to the other and 33" to 36" aff



Finding #36 Additional Finding Photos



Men's Restroom Lobby

Lat: 41.6549300000, Long: -91.5365200000

Finding: 37

The side grab bar is not long enough.

The side grab bar must extend at least 54 inches minimum beyond the rear wall and start a maximum of 12 inches from the rear wall. A 42 inch grab bar installed the maximum distance from the rear wall (12 inches) will leave the leading end 54 inches from the rear wall. Grab bars shall be installed in a horizontal position, 33 inches minimum and 36 inches maximum above the finish floor measured to the top of the gripping surface.

Citation:

2010 ADAS Section: 604.5.1

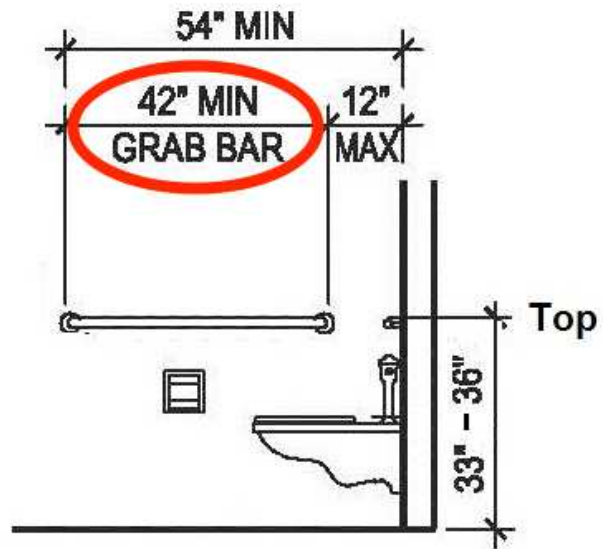
1991 ADAS Section: 4.16.4

As Built:

side bar 36" with TP
above at 8", gap 2.5"

Recommendation:

Replace side grab bar with a 42" long grab bar, mounted max 12" from the rear wall at the close end and min 54" on the far end and 33" to 36" aff



Finding #37 Additional Finding Photos



Men's Restroom Lobby

Lat: 41.6549300000, Long: -91.5365200000

Finding: 38

The paper towel dispenser projects more than 4 inches into the circulation path.

Wall-mounted objects that have leading edges between 27 inches and 80 inches from the floor must not project more than 4 inches into the circulation path. Protruding objects that extend to the floor or within 27 inches of the floor are cane detectable and are therefore not hazardous. Where it is necessary or desirable to have objects protrude from the wall, a manner of cane detection must be provided.

Citation:

2010 ADAS Section: 307.2

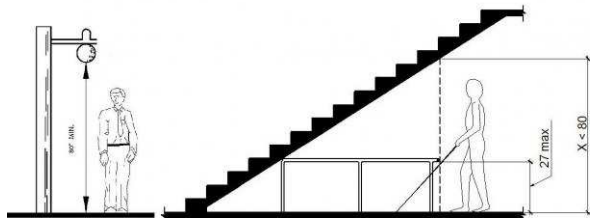
1991 ADAS Section: 4.4.1

As Built:

paper towels 6"

Recommendation:

Relocate protruding objects or place cane detectable warning or bollard at foot of item



Finding #38 Additional Finding Photos



Men's Restroom Lobby

Lat: 41.6549300000, Long: -91.5365200000

Finding: 39

The toilet paper is not installed within the compliant range.

Toilet paper dispensers shall be 7 inches minimum and 9 inches maximum in front of the water closet measured to the centerline of the dispenser. The outlet of the dispenser shall be 15 inches minimum and 48 inches maximum above the finish floor and shall not be located behind grab bars. Dispensers shall not be of a type that controls delivery or that does not allow continuous paper flow. There shall be a clearance of 1 1/2 inches minimum below the grab bar.

Citation:

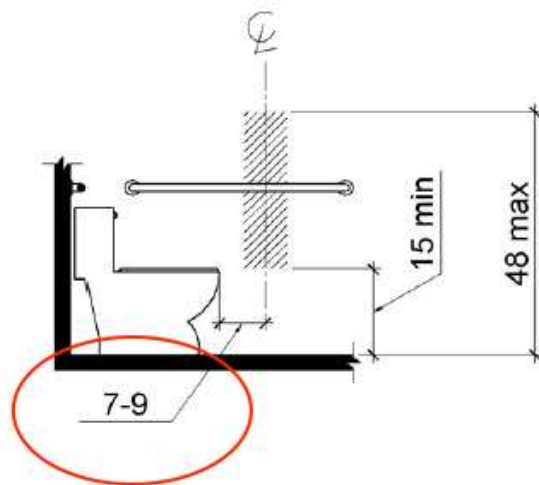
2010 ADAS Section: 604.7

As Built:

too close and above grab bar

Recommendation:

Remount toilet paper dispenser max 7" to 9" from front of toilet, 15" to 48" aff and min 12" above or 1.5" below grab bar



Men's Restroom Lobby

Lat: 41.6549300000, Long: -91.5365200000

Finding: 40

The flush handle is located on the wrong side of the toilet.

Controls shall be operable with one hand and shall not require tight grasping, pinching or twisting. Controls for the flush valves shall be mounted on the wide side of toilet areas, no more than 44 inches above the floor.

Citation:

2010 ADAS Section: 604.6

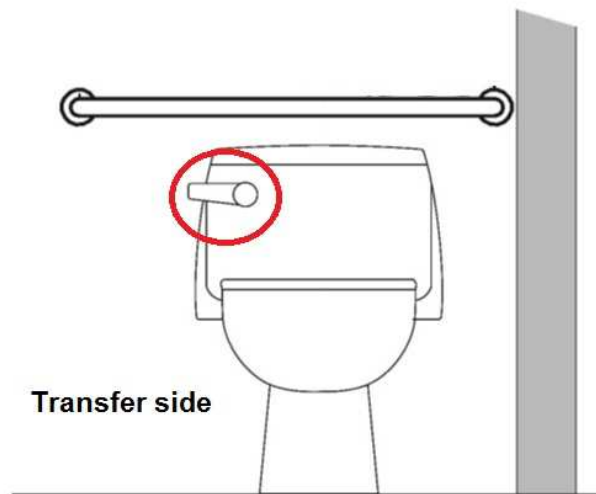
1991 ADAS Section: 4.16.5

As Built:

closed side

Recommendation:

Replace toilet tank with one having flush mechanism on the open side, in the alternative, install an auto flush unit



Men's Restroom Lobby

Lat: 41.6549300000, Long: -91.5365200000

Finding: 41

Element meets all standards and requirements

Citation:

2010 ADAS Section: 216.2, 703

As Built:

signs are compliant

Recommendation:

None

Offices

Lat: 41.6549300000, Long: -91.5365200000

Finding: 42

The door operating hardware is not accessible.

Hand-activated door opening hardware, handles, pulls, latches, locks, and other operating devices on accessible doors shall have a shape that is easy to grasp with one hand and does not require tight grasping, tight pinching or twisting of the wrist to operate. Hardware shall be 34 inches minimum and 48 inches maximum above the finish floor or ground.

Citation:

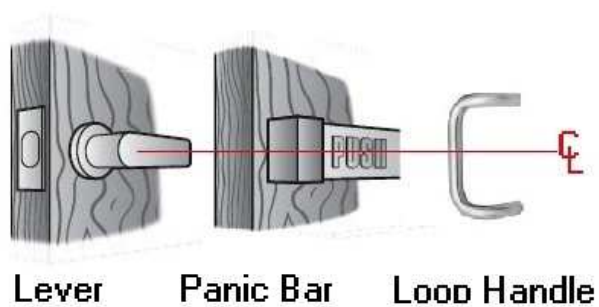
2010 ADAS Section: 404.2.7

As Built:

124 storage - knob

Recommendation:

Replace hardware with lever hardware or hardware operable without a tight pinch or grasp



Operating hardware must be centered between 34" and 48" above the floor or ground

Offices

Lat: 41.6549300000, Long: -91.5365200000

Finding: 43

There is insufficient turning space within this room or space.

The space required for a wheelchair to make a 180-degree turn is a clear space of 60 inches in diameter or a T-shaped space.

Citation:

2010 ADAS Section: 304.3.1, 304.3.2

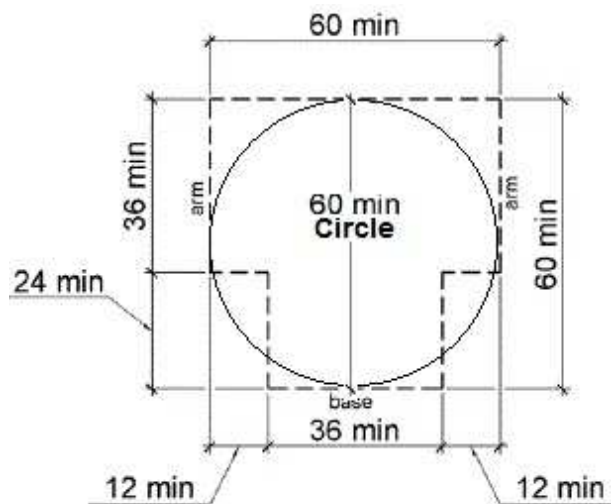
1991 ADAS Section: 4.2.3

As Built:

124 storage - storage prevents AR and turning

Recommendation:

For deficit, leave as is, employee work area pursuant to 2010 Standards 106.5 Defined Terms, until an employee with a disability works here



Offices

Lat: 41.6549300000, Long: -91.5365200000

Finding: 44

Minimum maneuvering clearances at doors and gates shall comply with 404.2.4. Maneuvering clearances shall extend the full width of the doorway and the required latch side or hinge side clearance.

All interior doors must be maintained so that the operating pressure does not exceed 5 lb. force to open.

Hand-activated door opening hardware, handles, pulls, latches, locks, and other operating devices on accessible doors shall have a shape that is easy to grasp with one hand and does not require tight grasping, tight pinching or twisting of the wrist to operate. Hardware shall be 34 inches minimum and 48 inches maximum above the finish floor or ground.

Doors, gates, and side lights adjacent to doors or gates, containing one or more glazing panels that permit viewing through the panels shall have the bottom of at least one glazed panel located 43 inches (1090 mm) maximum above the finish floor.

EXCEPTION: Vision lights with the lowest part more than 66 inches (1675 mm) from the finish floor or ground shall not be required to comply with 404.2.11.

Citation:

2010 ADAS Section: 404.2.3, 404.2.7, 404.2.4, 404.2.11, 404.2.11 Exception

1991 ADAS Section: 4.13.1

As Built:

N employee entry to hall - 12" to wall on pull, 60 " window, knob, 11#

Recommendation:

For all doors along the public circulation route, provide required maneuvering clearance on push and pull side of doors

For all doors along the public circulation route, inspect, adjust, and maintain 5 lbf to open interior doors

Replace hardware with lever hardware or hardware operable without a tight pinch or grasp

For all doors along the public circulation route, replace doors with ones having sidelight viewing windows max 43" aff

Finding #44 Continued



Finding #44 Additional Finding Photos



Offices

Lat: 41.6549300000, Long: -91.5365200000

Finding: 45

The door operating hardware is not accessible.

Hand-activated door opening hardware, handles, pulls, latches, locks, and other operating devices on accessible doors shall have a shape that is easy to grasp with one hand and does not require tight grasping, tight pinching or twisting of the wrist to operate. Hardware shall be 34 inches minimum and 48 inches maximum above the finish floor or ground.

Citation:

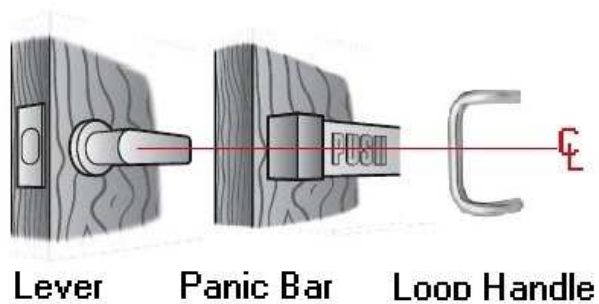
2010 ADAS Section: 404.2.7

As Built:

151 interview - knob

Recommendation:

Replace hardware with lever hardware or hardware operable without a tight pinch or grasp



Operating hardware must be centered between 34" and 48" above the floor or ground

Offices

Lat: 41.6549300000, Long: -91.5365200000

Finding: 46

Minimum maneuvering clearances at doors and gates shall comply with 404.2.4. Maneuvering clearances shall extend the full width of the doorway and the required latch side or hinge side clearance.

Hand-activated door opening hardware, handles, pulls, latches, locks, and other operating devices on accessible doors shall have a shape that is easy to grasp with one hand and does not require tight grasping, tight pinching or twisting of the wrist to operate. Hardware shall be 34 inches minimum and 48 inches maximum above the finish floor or ground.

Citation:

2010 ADAS Section: 404.2.3, 404.2.7, 404.2.4, 404.2.11, 404.2.11 Exception

As Built:

149 - table on pull, knob

1991 ADAS Section: 4.13.1

Recommendation:

For all doors along the public circulation route, provide required maneuvering clearance on push and pull side of doors

Replace hardware with lever hardware or hardware operable without a tight pinch or grasp



Finding #46 Additional Finding Photos



Offices

Lat: 41.6549300000, Long: -91.5365200000

Finding: 47

Minimum maneuvering clearances at doors and gates shall comply with 404.2.4. Maneuvering clearances shall extend the full width of the doorway and the required latch side or hinge side clearance.

Citation:

2010 ADAS Section: 404.2.3, 404.2.7, 404.2.4,
404.2.11, 404.2.11 Exception

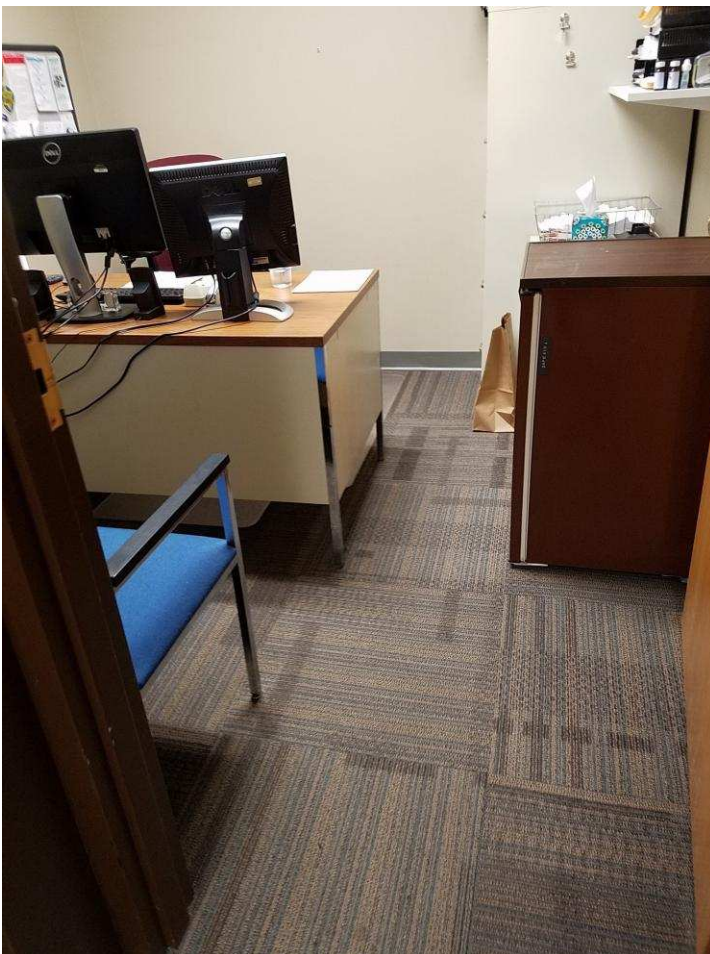
1991 ADAS Section: 4.13.1

As Built:

154 - chair and desk
on pull

Recommendation:

For all doors along the public circulation route, provide required maneuvering clearance on push and pull side of doors



Offices

Lat: 41.6549300000, Long: -91.5365200000

Finding: 48

The restroom is not nearly compliant.

The restroom does not have the required minimum clear floor space or maneuvering clearances for the toilet, The restroom does not have the required minimum clear floor space or maneuvering clearances for the lavatory, The entry door does not contain the required minimum maneuvering spaces on the pull/push sides, The entry door encroach into the required clear floor space for fixtures, Grab bars are missing and/or incorrectly installed, Accessories, such as toilet seat covers, paper towel holders, garbage cans, hand dryers, and mirrors are either too high or without clear floor space or both.

Citation:

2010 ADAS Section: 603.1

1991 ADAS Section: 4.17.1

As Built:

153 RR - not accessible

Recommendation:

Create a compliant wheelchair accessible restroom and correct all features to be accessible upon renovation



Offices

Lat: 41.6549300000, Long: -91.5365200000

Finding: 49

Door openings shall provide a clear width of 32 inches (815 mm) minimum. Clear openings of doorways with swinging doors shall be measured between the face of the door and the stop, with the door open 90 degrees. Openings more than 24 inches (610 mm) deep shall provide a clear opening of 36 inches (915 mm) minimum. There shall be no projections into the required clear opening width lower than 34 inches (865 mm) above the finish floor or ground. Projections into the clear opening width between 34 inches (865 mm) and 80 inches (2030 mm) above the finish floor or ground shall not exceed 4 inches (100 mm).

Hand-activated door opening hardware, handles, pulls, latches, locks, and other operating devices on accessible doors shall have a shape that is easy to grasp with one hand and does not require tight grasping, tight pinching or twisting of the wrist to operate. Hardware shall be 34 inches minimum and 48 inches maximum above the finish floor or ground.

Citation:

2010 ADAS Section: 404.2.3, 404.2.7, 404.2.4,
404.2.11, 404.2.11 Exception

As Built:

118 RR - knob, 25"
wide

1991 ADAS Section: 4.13.1

Recommendation:

For all doors along the public circulation route, replace doors with doors having 80" overhead clearance and 32" clear width

Replace hardware with lever hardware or hardware operable without a tight pinch or grasp



Finding #49 Additional Finding Photos



Offices

Lat: 41.6549300000, Long: -91.5365200000

Finding: 50

Minimum maneuvering clearances at doors and gates shall comply with 404.2.4. Maneuvering clearances shall extend the full width of the doorway and the required latch side or hinge side clearance.

Door openings shall provide a clear width of 32 inches (815 mm) minimum. Clear openings of doorways with swinging doors shall be measured between the face of the door and the stop, with the door open 90 degrees. Openings more than 24 inches (610 mm) deep shall provide a clear opening of 36 inches (915 mm) minimum. There shall be no projections into the required clear opening width lower than 34 inches (865 mm) above the finish floor or ground. Projections into the clear opening width between 34 inches (865 mm) and 80 inches (2030 mm) above the finish floor or ground shall not exceed 4 inches (100 mm).

Hand-activated door opening hardware, handles, pulls, latches, locks, and other operating devices on accessible doors shall have a shape that is easy to grasp with one hand and does not require tight grasping, tight pinching or twisting of the wrist to operate. Hardware shall be 34 inches minimum and 48 inches maximum above the finish floor or ground.

Citation:

2010 ADAS Section: 404.2.3, 404.2.7, 404.2.4,
404.2.11, 404.2.11 Exception

As Built:

153 - - sink on pull,
knob, 25" wide

1991 ADAS Section: 4.13.1

Recommendation:

Upon renovation of the restroom, make the following corrections to the door:

provide required maneuvering clearance on push and pull side of doors

Replace doors with doors having 80" overhead clearance and 32" clear width

Replace hardware with lever hardware or hardware operable without a tight pinch or grasp

Finding #50 Continued



Finding #50 Additional Finding Photos



Offices

Lat: 41.6549300000, Long: -91.5365200000

Finding: 51

Minimum maneuvering clearances at doors and gates shall comply with 404.2.4. Maneuvering clearances shall extend the full width of the doorway and the required latch side or hinge side clearance.

Hand-activated door opening hardware, handles, pulls, latches, locks, and other operating devices on accessible doors shall have a shape that is easy to grasp with one hand and does not require tight grasping, tight pinching or twisting of the wrist to operate. Hardware shall be 34 inches minimum and 48 inches maximum above the finish floor or ground.

Citation:

2010 ADAS Section: 404.2.3, 404.2.7, 404.2.4,
404.2.11, 404.2.11 Exception

As Built:

158 - knob, desk back

1991 ADAS Section: 4.13.1

Recommendation:

For all doors along the public circulation route, provide required maneuvering clearance on push and pull side of doors

Replace hardware with lever hardware or hardware operable without a tight pinch or grasp



Finding #51 Additional Finding Photos



Offices

Lat: 41.6549300000, Long: -91.5365200000

Finding: 52

Minimum maneuvering clearances at doors and gates shall comply with 404.2.4. Maneuvering clearances shall extend the full width of the doorway and the required latch side or hinge side clearance.

All interior doors must be maintained so that the operating pressure does not exceed 5 lb. force to open.

Hand-activated door opening hardware, handles, pulls, latches, locks, and other operating devices on accessible doors shall have a shape that is easy to grasp with one hand and does not require tight grasping, tight pinching or twisting of the wrist to operate. Hardware shall be 34 inches minimum and 48 inches maximum above the finish floor or ground.

Citation:

2010 ADAS Section: 404.2.3, 404.2.7, 404.2.4, 404.2.11, 404.2.11 Exception

1991 ADAS Section: 4.13.1

As Built:

Lounge- 12" to wall on pull, knob, 8#

Recommendation:

For all doors along the public circulation route, provide required maneuvering clearance on push and pull side of doors

For all doors along the public circulation route, inspect, adjust, and maintain 5 lbf to open interior doors

Replace hardware with lever hardware or hardware operable without a tight pinch or grasp



Finding #52 Additional Finding Photos



Offices

Lat: 41.6549300000, Long: -91.5365200000

Finding: 53

Minimum maneuvering clearances at doors and gates shall comply with 404.2.4. Maneuvering clearances shall extend the full width of the doorway and the required latch side or hinge side clearance.

Hand-activated door opening hardware, handles, pulls, latches, locks, and other operating devices on accessible doors shall have a shape that is easy to grasp with one hand and does not require tight grasping, tight pinching or twisting of the wrist to operate. Hardware shall be 34 inches minimum and 48 inches maximum above the finish floor or ground.

Citation:

2010 ADAS Section: 404.2.3, 404.2.7, 404.2.4, 404.2.11, 404.2.11 Exception

1991 ADAS Section: 4.13.1

As Built:

122 - 6.5" to wall on pull, knob

Recommendation:

For all doors along the public circulation route, provide required maneuvering clearance on push and pull side of doors

Replace hardware with lever hardware or hardware operable without a tight pinch or grasp



Finding #53 Additional Finding Photos



Offices

Lat: 41.6549300000, Long: -91.5365200000

Finding: 54

There is insufficient turning space within this room or space.

The space required for a wheelchair to make a 180-degree turn is a clear space of 60 inches in diameter or a T-shaped space.

Citation:

2010 ADAS Section: 304.3.1, 304.3.2

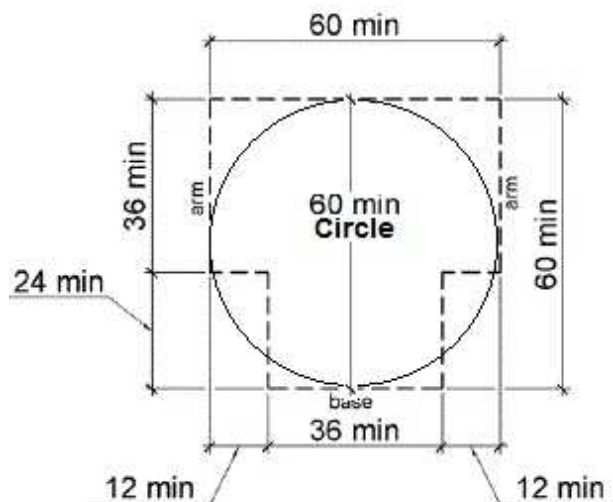
1991 ADAS Section: 4.2.3

As Built:

122 storage - storage prevents AR and turning

Recommendation:

For deficit, leave as is, employee work area pursuant to 2010 Standards 106.5 Defined Terms, until an employee with a disability works here



Offices

Lat: 41.6549300000, Long: -91.5365200000

Finding: 55

Minimum maneuvering clearances at doors and gates shall comply with 404.2.4. Maneuvering clearances shall extend the full width of the doorway and the required latch side or hinge side clearance.

All interior doors must be maintained so that the operating pressure does not exceed 5 lb. force to open.

Hand-activated door opening hardware, handles, pulls, latches, locks, and other operating devices on accessible doors shall have a shape that is easy to grasp with one hand and does not require tight grasping, tight pinching or twisting of the wrist to operate. Hardware shall be 34 inches minimum and 48 inches maximum above the finish floor or ground.

Citation:

2010 ADAS Section: 404.2.3, 404.2.7, 404.2.4,
404.2.11, 404.2.11 Exception

1991 ADAS Section: 4.13.1

As Built:

119 Conference - 12"
to wall on pull, knob,
11#

Recommendation:

For all doors along the public circulation route, provide required maneuvering clearance on push and pull side of doors

For all doors along the public circulation route, inspect, adjust, and maintain 5 lbf to open interior doors

Replace hardware with lever hardware or hardware operable without a tight pinch or grasp



Finding #55 Additional Finding Photos



Offices

Lat: 41.6549300000, Long: -91.5365200000

Finding: 56

Minimum maneuvering clearances at doors and gates shall comply with 404.2.4. Maneuvering clearances shall extend the full width of the doorway and the required latch side or hinge side clearance.

Hand-activated door opening hardware, handles, pulls, latches, locks, and other operating devices on accessible doors shall have a shape that is easy to grasp with one hand and does not require tight grasping, tight pinching or twisting of the wrist to operate. Hardware shall be 34 inches minimum and 48 inches maximum above the finish floor or ground.

Citation:

2010 ADAS Section: 404.2.3, 404.2.7, 404.2.4, 404.2.11, 404.2.11 Exception

1991 ADAS Section: 4.13.1

As Built:

119 to Sherriff - wall on pull, knob

Recommendation:

For all doors along the public circulation route, provide required maneuvering clearance on push and pull side of doors

Replace hardware with lever hardware or hardware operable without a tight pinch or grasp



Finding #56 Additional Finding Photos



Offices

Lat: 41.6549300000, Long: -91.5365200000

Finding: 57

Minimum maneuvering clearances at doors and gates shall comply with 404.2.4. Maneuvering clearances shall extend the full width of the doorway and the required latch side or hinge side clearance.

All interior doors must be maintained so that the operating pressure does not exceed 5 lb. force to open.

Hand-activated door opening hardware, handles, pulls, latches, locks, and other operating devices on accessible doors shall have a shape that is easy to grasp with one hand and does not require tight grasping, tight pinching or twisting of the wrist to operate. Hardware shall be 34 inches minimum and 48 inches maximum above the finish floor or ground.

Citation:

2010 ADAS Section: 404.2.3, 404.2.7, 404.2.4, 404.2.11, 404.2.11 Exception

1991 ADAS Section: 4.13.1

As Built:

Detective office 115 -
12" to wall on pull,
knob, 9#

Recommendation:

For all doors along the public circulation route, provide required maneuvering clearance on push and pull side of doors

For all doors along the public circulation route, inspect, adjust, and maintain 5 lbf to open interior doors

For all doors along the public circulation route, replace hardware with lever hardware or hardware operable without a tight pinch or grasp



Offices

Lat: 41.6549300000, Long: -91.5365200000

Finding: 58

Minimum maneuvering clearances at doors and gates shall comply with 404.2.4. Maneuvering clearances shall extend the full width of the doorway and the required latch side or hinge side clearance.

Hand-activated door opening hardware, handles, pulls, latches, locks, and other operating devices on accessible doors shall have a shape that is easy to grasp with one hand and does not require tight grasping, tight pinching or twisting of the wrist to operate. Hardware shall be 34 inches minimum and 48 inches maximum above the finish floor or ground.

Citation:

2010 ADAS Section: 404.2.3, 404.2.7, 404.2.4, 404.2.11, 404.2.11 Exception

As Built:

115 - chair on pull, knob

1991 ADAS Section: 4.13.1

Recommendation:

For all doors along the public circulation route, provide required maneuvering clearance on push and pull side of doors

Replace hardware with lever hardware or hardware operable without a tight pinch or grasp



Finding #58 Additional Finding Photos



Offices

Lat: 41.6549300000, Long: -91.5365200000

Finding: 59

Minimum maneuvering clearances at doors and gates shall comply with 404.2.4. Maneuvering clearances shall extend the full width of the doorway and the required latch side or hinge side clearance.

Hand-activated door opening hardware, handles, pulls, latches, locks, and other operating devices on accessible doors shall have a shape that is easy to grasp with one hand and does not require tight grasping, tight pinching or twisting of the wrist to operate. Hardware shall be 34 inches minimum and 48 inches maximum above the finish floor or ground.

Citation:

2010 ADAS Section: 404.2.3, 404.2.7, 404.2.4, 404.2.11, 404.2.11 Exception

As Built:

148 - files on pull, knob

1991 ADAS Section: 4.13.1

Recommendation:

For all doors along the public circulation route, provide required maneuvering clearance on push and pull side of doors

Replace hardware with lever hardware or hardware operable without a tight pinch or grasp



Finding #59 Additional Finding Photos



Offices

Lat: 41.6549300000, Long: -91.5365200000

Finding: 60

Element meets all standards and requirements

Citation:

2010 ADAS Section: 404

As Built:

**Records Div - door
complies**

Recommendation:

None

Offices

Lat: 41.6549300000, Long: -91.5365200000

Finding: 61

The maneuvering space on the pull side of the door does not adequately extend beyond the latch side of the door.

Maneuvering space for interior doors on the pull side with a front approach must be flat (2% max. slope in any direction) for a minimum distance of 60 inches in the direction of travel. The width of the maneuvering space must be as wide as the door plus an additional 18 inches on the latch side. This latch side clearance must also be flat (2% max. slope in any direction) and clear of obstructions.

Citation:

2010 ADAS Section: 404.2.4.1

1991 ADAS Section: 4.13.6

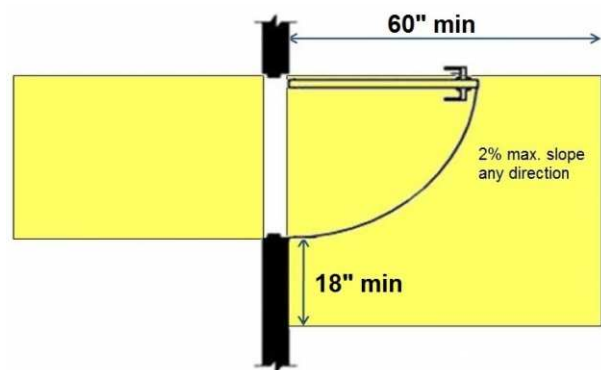
As Built:

Civil Division - chair and desk on pull

Recommendation:

For all doors along the public circulation route, provide required maneuvering clearance on push and pull side of doors

For all doors along the public circulation route, relocate storage, furniture, and other obstacles to create 60" maneuvering space around doors



Offices

Lat: 41.6549300000, Long: -91.5365200000

Finding: 62

The mailboxes are positioned too high for either a side or front approach.

Where a clear floor or ground space allows a parallel approach to an element and the side reach is unobstructed, the high side reach shall be 48 inches maximum and the low side reach shall be 15 inches minimum above the finish floor or ground.

Where a forward reach is unobstructed, the high forward reach shall be 48 inches maximum and the low forward reach shall be 15 inches minimum above the finish floor or ground.

Citation:

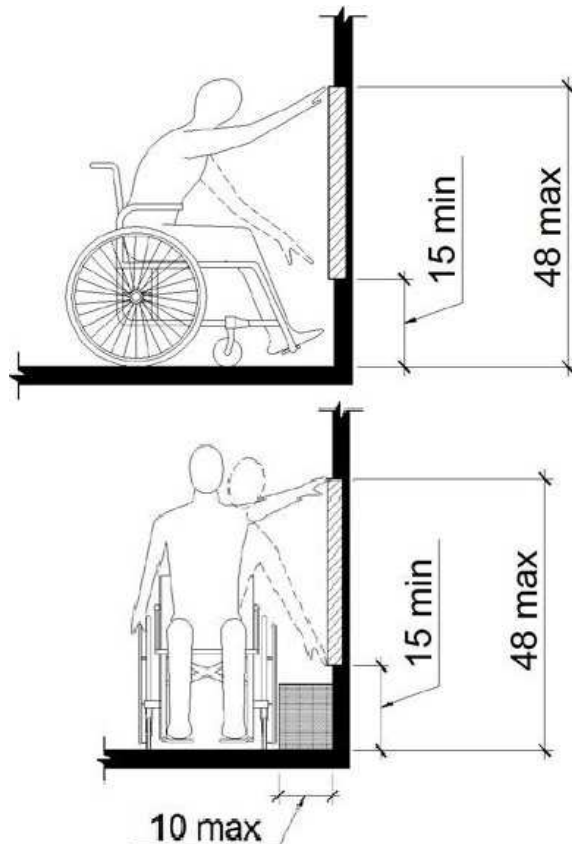
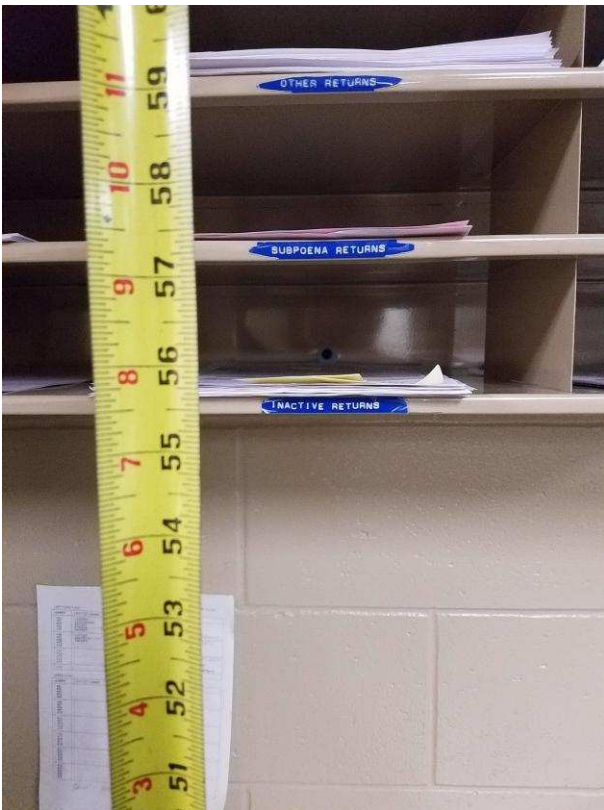
2010 ADAS Section: 308.1

As Built:

Civil office - 55.5" to mailboxes

Recommendation:

For deficit, leave as is, employee work area pursuant to 2010 Standards 106.5 Defined Terms, until an employee with a disability works here



Finding #62 Additional Finding Photos



Offices

Lat: 41.6549300000, Long: -91.5365200000

Finding: 63

The door operating hardware is not accessible.

Hand-activated door opening hardware, handles, pulls, latches, locks, and other operating devices on accessible doors shall have a shape that is easy to grasp with one hand and does not require tight grasping, tight pinching or twisting of the wrist to operate. Hardware shall be 34 inches minimum and 48 inches maximum above the finish floor or ground.

Citation:

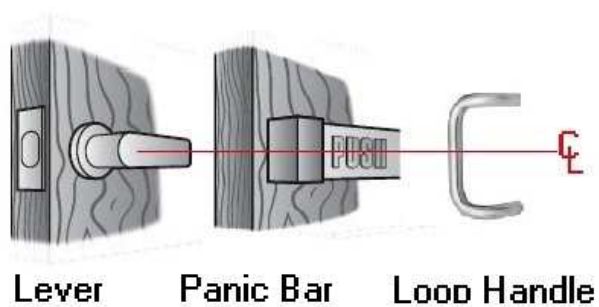
2010 ADAS Section: 404.2.7

As Built:

140 storage - knob

Recommendation:

Replace hardware with lever hardware or hardware operable without a tight pinch or grasp



Operating hardware must be centered between 34" and 48" above the floor or ground

Offices

Lat: 41.6549300000, Long: -91.5365200000

Finding: 64

Minimum maneuvering clearances at doors and gates shall comply with 404.2.4. Maneuvering clearances shall extend the full width of the doorway and the required latch side or hinge side clearance.

Hand-activated door opening hardware, handles, pulls, latches, locks, and other operating devices on accessible doors shall have a shape that is easy to grasp with one hand and does not require tight grasping, tight pinching or twisting of the wrist to operate. Hardware shall be 34 inches minimum and 48 inches maximum above the finish floor or ground.

Citation:

2010 ADAS Section: 404.2.3, 404.2.7, 404.2.4, 404.2.11, 404.2.11 Exception

1991 ADAS Section: 4.13.1

As Built:

139 Janitor - storage on push, knob

Recommendation:

For all doors along the public circulation route, provide required maneuvering clearance on push and pull side of doors

Replace hardware with lever hardware or hardware operable without a tight pinch or grasp



Finding #64 Additional Finding Photos



Offices

Lat: 41.6549300000, Long: -91.5365200000

Finding: 65

The door operating hardware is not accessible.

Hand-activated door opening hardware, handles, pulls, latches, locks, and other operating devices on accessible doors shall have a shape that is easy to grasp with one hand and does not require tight grasping, tight pinching or twisting of the wrist to operate. Hardware shall be 34 inches minimum and 48 inches maximum above the finish floor or ground.

Citation:

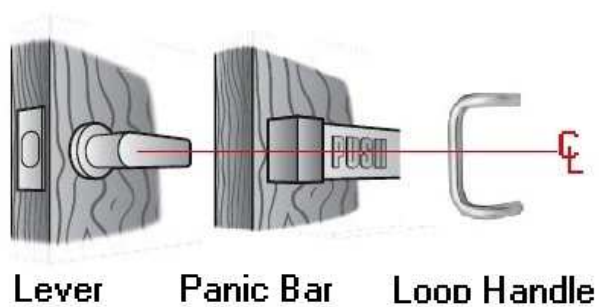
2010 ADAS Section: 404.2.7

As Built:

113 - knob

Recommendation:

Replace hardware with lever hardware or hardware operable without a tight pinch or grasp



Operating hardware must be centered between 34" and 48" above the floor or ground

Offices

Lat: 41.6549300000, Long: -91.5365200000

Finding: 66

Minimum maneuvering clearances at doors and gates shall comply with 404.2.4. Maneuvering clearances shall extend the full width of the doorway and the required latch side or hinge side clearance.

Hand-activated door opening hardware, handles, pulls, latches, locks, and other operating devices on accessible doors shall have a shape that is easy to grasp with one hand and does not require tight grasping, tight pinching or twisting of the wrist to operate. Hardware shall be 34 inches minimum and 48 inches maximum above the finish floor or ground.

Citation:

2010 ADAS Section: 404.2.3, 404.2.7, 404.2.4, 404.2.11, 404.2.11 Exception

1991 ADAS Section: 4.13.1

As Built:

113 IT- knob, desk on pull

Recommendation:

For all doors along the public circulation route, provide required maneuvering clearance on push and pull side of doors

Replace hardware with lever hardware or hardware operable without a tight pinch or grasp



Finding #66 Additional Finding Photos



Offices

Lat: 41.6549300000, Long: -91.5365200000

Finding: 67

Minimum maneuvering clearances at doors and gates shall comply with 404.2.4. Maneuvering clearances shall extend the full width of the doorway and the required latch side or hinge side clearance.

Hand-activated door opening hardware, handles, pulls, latches, locks, and other operating devices on accessible doors shall have a shape that is easy to grasp with one hand and does not require tight grasping, tight pinching or twisting of the wrist to operate. Hardware shall be 34 inches minimum and 48 inches maximum above the finish floor or ground.

Doors, gates, and side lights adjacent to doors or gates, containing one or more glazing panels that permit viewing through the panels shall have the bottom of at least one glazed panel located 43 inches (1090 mm) maximum above the finish floor.

EXCEPTION: Vision lights with the lowest part more than 66 inches (1675 mm) from the finish floor or ground shall not be required to comply with 404.2.11.

Citation:

2010 ADAS Section: 404.2.3, 404.2.7, 404.2.4,
404.2.11, 404.2.11 Exception

1991 ADAS Section: 4.13.1

As Built:

111- fire ext on pull,
knob, 45 " window

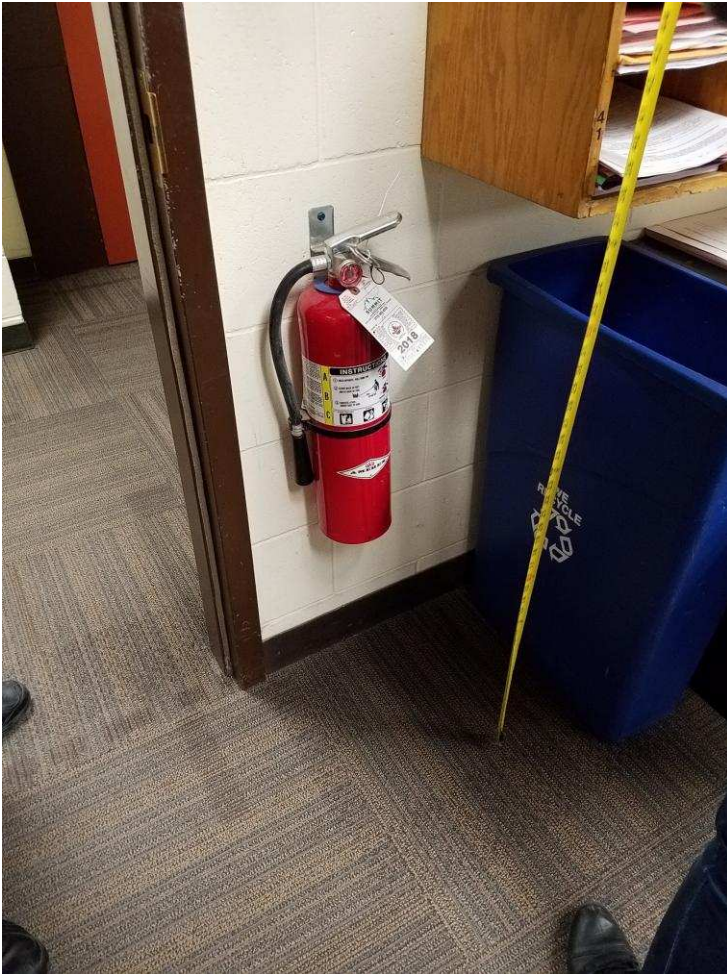
Recommendation:

For all doors along the public circulation route, provide required maneuvering clearance on push and pull side of doors

Replace hardware with lever hardware or hardware operable without a tight pinch or grasp

For all doors along the public circulation route, replace doors with ones having sidelight viewing windows max 43" aff

Finding #67 Continued



Finding #67 Additional Finding Photos



Offices

Lat: 41.6549300000, Long: -91.5365200000

Finding: 68

Minimum maneuvering clearances at doors and gates shall comply with 404.2.4. Maneuvering clearances shall extend the full width of the doorway and the required latch side or hinge side clearance.

Hand-activated door opening hardware, handles, pulls, latches, locks, and other operating devices on accessible doors shall have a shape that is easy to grasp with one hand and does not require tight grasping, tight pinching or twisting of the wrist to operate. Hardware shall be 34 inches minimum and 48 inches maximum above the finish floor or ground.

Citation:

2010 ADAS Section: 404.2.3, 404.2.7, 404.2.4,
404.2.11, 404.2.11 Exception

As Built:

112 - shelf on pull,
knob

1991 ADAS Section: 4.13.1

Recommendation:

For all doors along the public circulation route, provide required maneuvering clearance on push and pull side of doors

Replace hardware with lever hardware or hardware operable without a tight pinch or grasp



Finding #68 Additional Finding Photos



Offices

Lat: 41.6549300000, Long: -91.5365200000

Finding: 69

The door operating hardware is not accessible.

Hand-activated door opening hardware, handles, pulls, latches, locks, and other operating devices on accessible doors shall have a shape that is easy to grasp with one hand and does not require tight grasping, tight pinching or twisting of the wrist to operate. Hardware shall be 34 inches minimum and 48 inches maximum above the finish floor or ground.

Citation:

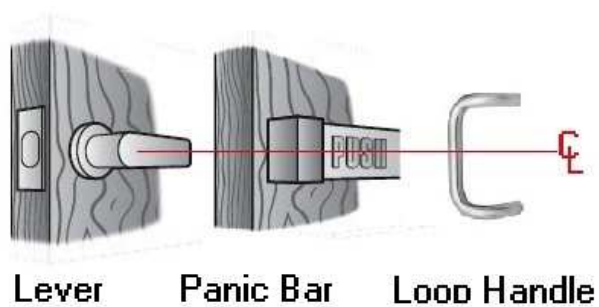
2010 ADAS Section: 404.2.7

As Built:

124 storage - knob

Recommendation:

Replace hardware with lever hardware or hardware operable without a tight pinch or grasp



Operating hardware must be centered between 34" and 48" above the floor or ground

Offices

Lat: 41.6549300000, Long: -91.5365200000

Finding: 70

Door openings shall provide a clear width of 32 inches (815 mm) minimum. Clear openings of doorways with swinging doors shall be measured between the face of the door and the stop, with the door open 90 degrees. Openings more than 24 inches (610 mm) deep shall provide a clear opening of 36 inches (915 mm) minimum. There shall be no projections into the required clear opening width lower than 34 inches (865 mm) above the finish floor or ground. Projections into the clear opening width between 34 inches (865 mm) and 80 inches (2030 mm) above the finish floor or ground shall not exceed 4 inches (100 mm).

Hand-activated door opening hardware, handles, pulls, latches, locks, and other operating devices on accessible doors shall have a shape that is easy to grasp with one hand and does not require tight grasping, tight pinching or twisting of the wrist to operate. Hardware shall be 34 inches minimum and 48 inches maximum above the finish floor or ground.

Citation:

2010 ADAS Section: 404.2.3, 404.2.7, 404.2.4,
404.2.11, 404.2.11 Exception

1991 ADAS Section: 4.13.1

As Built:

110 - knob, 25" wide

Recommendation:

For all doors along the public circulation route, replace doors with doors having 80" overhead clearance and 32" clear width

Replace hardware with lever hardware or hardware operable without a tight pinch or grasp

Offices

Lat: 41.6549300000, Long: -91.5365200000

Finding: 71

Minimum maneuvering clearances at doors and gates shall comply with 404.2.4. Maneuvering clearances shall extend the full width of the doorway and the required latch side or hinge side clearance.

Hand-activated door opening hardware, handles, pulls, latches, locks, and other operating devices on accessible doors shall have a shape that is easy to grasp with one hand and does not require tight grasping, tight pinching or twisting of the wrist to operate. Hardware shall be 34 inches minimum and 48 inches maximum above the finish floor or ground.

Citation:

2010 ADAS Section: 404.2.3, 404.2.7, 404.2.4, 404.2.11, 404.2.11 Exception

1991 ADAS Section: 4.13.1

As Built:

102B - knob, counter on pull

Recommendation:

For all doors along the public circulation route, provide required maneuvering clearance on push and pull side of doors

Replace hardware with lever hardware or hardware operable without a tight pinch or grasp



Finding #71 Additional Finding Photos



Offices

Lat: 41.6549300000, Long: -91.5365200000

Finding: 72

Minimum maneuvering clearances at doors and gates shall comply with 404.2.4. Maneuvering clearances shall extend the full width of the doorway and the required latch side or hinge side clearance.

Hand-activated door opening hardware, handles, pulls, latches, locks, and other operating devices on accessible doors shall have a shape that is easy to grasp with one hand and does not require tight grasping, tight pinching or twisting of the wrist to operate. Hardware shall be 34 inches minimum and 48 inches maximum above the finish floor or ground.

Doors, gates, and side lights adjacent to doors or gates, containing one or more glazing panels that permit viewing through the panels shall have the bottom of at least one glazed panel located 43 inches (1090 mm) maximum above the finish floor.

EXCEPTION: Vision lights with the lowest part more than 66 inches (1675 mm) from the finish floor or ground shall not be required to comply with 404.2.11.

Citation:

2010 ADAS Section: 404.2.3, 404.2.7, 404.2.4,
404.2.11, 404.2.11 Exception

1991 ADAS Section: 4.13.1

As Built:

S hall exit - knob, 12"
on pull, window 59
75"

Recommendation:

For all doors along the public circulation route, provide required maneuvering clearance on push and pull side of doors

Replace hardware with lever hardware or hardware operable without a tight pinch or grasp

For all doors along the public circulation route, replace doors with ones having sidelight viewing windows max 43" aff

Finding #72 Continued



Finding #72 Additional Finding Photos



Offices

Lat: 41.6549300000, Long: -91.5365200000

Finding: 73

All interior doors must be maintained so that the operating pressure does not exceed 5 lb. force to open.

The sweep period for doors with closers shall be adjusted so that from an open position of 70 degrees, the door will take at least 3 seconds to move to a point 7 inches from the latch, measured to the leading edge of the door.

Citation:

2010 ADAS Section: 404.2.3, 404.2.4, 404.2.11,
404.2.11 Exception

1991 ADAS Section: 4.13.1

As Built:

stairs S -fast, 15#

Recommendation:

For all doors along the public circulation route, inspect, adjust, and maintain 5 lbf to open interior doors

For all doors along the public circulation route, inspect, adjust, and maintain closing speed on door closers

Offices

Lat: 41.6549300000, Long: -91.5365200000

Finding: 74

Minimum maneuvering clearances at doors and gates shall comply with 404.2.4. Maneuvering clearances shall extend the full width of the doorway and the required latch side or hinge side clearance.

All interior doors must be maintained so that the operating pressure does not exceed 5 lb. force to open.

Hand-activated door opening hardware, handles, pulls, latches, locks, and other operating devices on accessible doors shall have a shape that is easy to grasp with one hand and does not require tight grasping, tight pinching or twisting of the wrist to operate. Hardware shall be 34 inches minimum and 48 inches maximum above the finish floor or ground.

Citation:

2010 ADAS Section: 404.2.3, 404.2.7, 404.2.4, 404.2.11, 404.2.11 Exception

1991 ADAS Section: 4.13.1

As Built:

127 - 16" to cabinet
on pull, wall 9" push,
knob, 11#

Recommendation:

For all doors along the public circulation route, provide required maneuvering clearance on push and pull side of doors

For all doors along the public circulation route, inspect, adjust, and maintain 5 lbf to open interior doors

Replace hardware with lever hardware or hardware operable without a tight pinch or grasp



Finding #74 Additional Finding Photos



Offices

Lat: 41.6549300000, Long: -91.5365200000

Finding: 75

Minimum maneuvering clearances at doors and gates shall comply with 404.2.4. Maneuvering clearances shall extend the full width of the doorway and the required latch side or hinge side clearance.

All interior doors must be maintained so that the operating pressure does not exceed 5 lb. force to open.

The sweep period for doors with closers shall be adjusted so that from an open position of 70 degrees, the door will take at least 3 seconds to move to a point 3 inches from the latch, measured to the leading edge of the door.

Hand-activated door opening hardware, handles, pulls, latches, locks, and other operating devices on accessible doors shall have a shape that is easy to grasp with one hand and does not require tight grasping, tight pinching or twisting of the wrist to operate. Hardware shall be 34 inches minimum and 48 inches maximum above the finish floor or ground.

Citation:

2010 ADAS Section: 404.2.3, 404.2.7, 404.2.4,
404.2.11, 404.2.11 Exception

1991 ADAS Section: 4.13.1

As Built:

127 - knob, stairs on
push, fast, 7#

Recommendation:

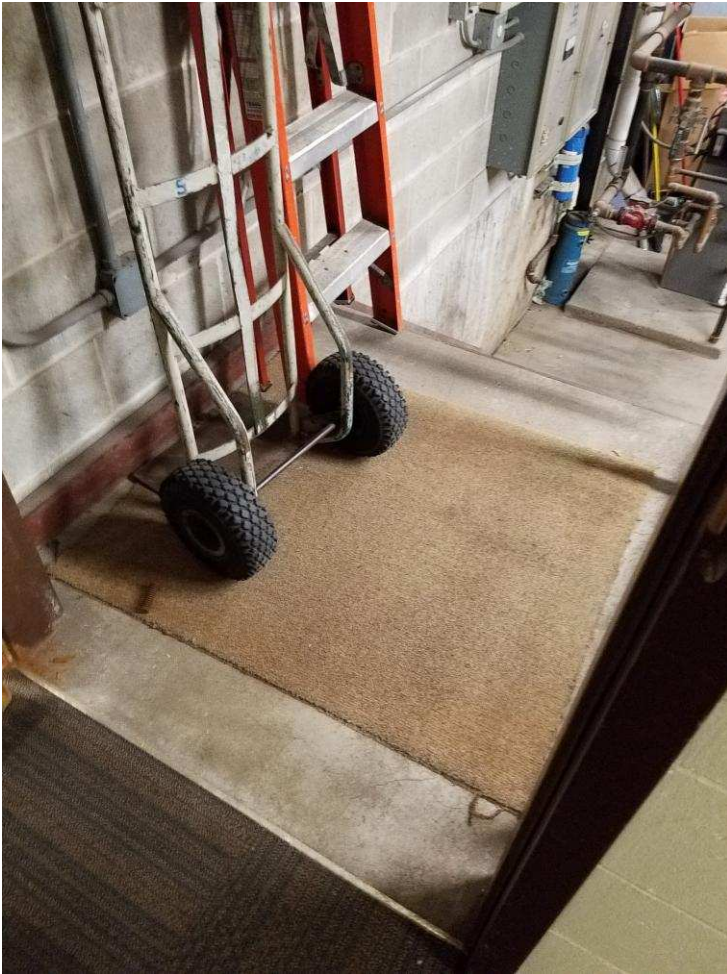
For all doors along the public circulation route, provide required maneuvering clearance on push and pull side of doors; in the alternative, leave as is, correction is technically infeasible

For all doors along the public circulation route, inspect, adjust, and maintain 5 lbf to open interior doors

For all doors along the public circulation route, inspect, adjust, and maintain closing speed on door closers

Replace hardware with lever hardware or hardware operable without a tight pinch or grasp

Finding #75 Continued



Finding #75 Additional Finding Photos



Offices

Lat: 41.6549300000, Long: -91.5365200000

Finding: 76

Minimum maneuvering clearances at doors and gates shall comply with 404.2.4. Maneuvering clearances shall extend the full width of the doorway and the required latch side or hinge side clearance.

Hand-activated door opening hardware, handles, pulls, latches, locks, and other operating devices on accessible doors shall have a shape that is easy to grasp with one hand and does not require tight grasping, tight pinching or twisting of the wrist to operate. Hardware shall be 34 inches minimum and 48 inches maximum above the finish floor or ground.

Citation:

2010 ADAS Section: 404.2.3, 404.2.7, 404.2.4, 404.2.11, 404.2.11 Exception

1991 ADAS Section: 4.13.1

As Built:

128 - knob, desk back on push

Recommendation:

For all doors along the public circulation route, provide required maneuvering clearance on push and pull side of doors

Replace hardware with lever hardware or hardware operable without a tight pinch or grasp



Finding #76 Additional Finding Photos



Offices

Lat: 41.6549300000, Long: -91.5365200000

Finding: 77

All interior doors must be maintained so that the operating pressure does not exceed 5 lb. force to open.

The sweep period for doors with closers shall be adjusted so that from an open position of 70 degrees, the door will take at least 3 seconds to move to a point 7 inches from the latch, measured to the leading edge of the door.

Citation:

2010 ADAS Section: 404.2.3, 404.2.4, 404.2.11,
404.2.11 Exception

1991 ADAS Section: 4.13.1

As Built:

stairs N -fast, 10#

Recommendation:

For all doors along the public circulation route, inspect, adjust, and maintain 5 lbf to open interior doors

For all doors along the public circulation route, inspect, adjust, and maintain closing speed on door closers

Offices

Lat: 41.6549300000, Long: -91.5365200000

Finding: 78

Minimum maneuvering clearances at doors and gates shall comply with 404.2.4. Maneuvering clearances shall extend the full width of the doorway and the required latch side or hinge side clearance.

All interior doors must be maintained so that the operating pressure does not exceed 5 lb. force to open.

Hand-activated door opening hardware, handles, pulls, latches, locks, and other operating devices on accessible doors shall have a shape that is easy to grasp with one hand and does not require tight grasping, tight pinching or twisting of the wrist to operate. Hardware shall be 34 inches minimum and 48 inches maximum above the finish floor or ground.

Citation:

2010 ADAS Section: 404.2.3, 404.2.7, 404.2.4, 404.2.11, 404.2.11 Exception

1991 ADAS Section: 4.13.1

As Built:

Detective office 115 -
12" to wall on pull,
knob, 9#

Recommendation:

For all doors along the public circulation route, provide required maneuvering clearance on push and pull side of doors

For all doors along the public circulation route, inspect, adjust, and maintain 5 lbf to open interior doors

Replace hardware with lever hardware or hardware operable without a tight pinch or grasp



Finding #78 Additional Finding Photos



Offices

Lat: 41.6549300000, Long: -91.5365200000

Finding: 79

Minimum maneuvering clearances at doors and gates shall comply with 404.2.4. Maneuvering clearances shall extend the full width of the doorway and the required latch side or hinge side clearance.

Hand-activated door opening hardware, handles, pulls, latches, locks, and other operating devices on accessible doors shall have a shape that is easy to grasp with one hand and does not require tight grasping, tight pinching or twisting of the wrist to operate. Hardware shall be 34 inches minimum and 48 inches maximum above the finish floor or ground.

Citation:

2010 ADAS Section: 404.2.3, 404.2.7, 404.2.4, 404.2.11, 404.2.11 Exception

As Built:

152 - knob, garbage on pull

1991 ADAS Section: 4.13.1

Recommendation:

For all doors along the public circulation route, provide required maneuvering clearance on push and pull side of doors

Replace hardware with lever hardware or hardware operable without a tight pinch or grasp



Finding #79 Additional Finding Photos



Offices

Lat: 41.6549300000, Long: -91.5365200000

Finding: 80

The maneuvering space on the pull side of the door does not adequately extend beyond the latch side of the door.

Maneuvering space for interior doors on the pull side with a front approach must be flat (2% max. slope in any direction) for a minimum distance of 60 inches in the direction of travel. The width of the maneuvering space must be as wide as the door plus an additional 18 inches on the latch side. This latch side clearance must also be flat (2% max. slope in any direction) and clear of obstructions.

Citation:

2010 ADAS Section: 404.2.4.1

1991 ADAS Section: 4.13.6

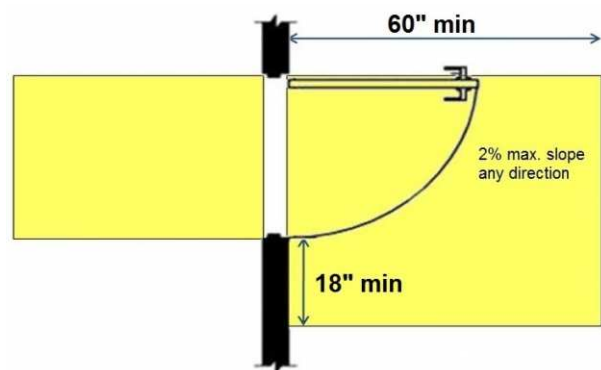
As Built:

155 - chair and desk
on pull

Recommendation:

For all doors along the public circulation route, provide required maneuvering clearance on push and pull side of doors

For all doors along the public circulation route, relocate storage, furniture, and other obstacles to create 60" maneuvering space around doors



Offices

Lat: 41.6549300000, Long: -91.5365200000

Finding: 81

The restroom is not nearly compliant.

The restroom does not have the required minimum clear floor space or maneuvering clearances for the toilet, The restroom does not have the required minimum clear floor space or maneuvering clearances for the lavatory, The entry door does not contain the required minimum maneuvering spaces on the pull/push sides, The entry door encroach into the required clear floor space for fixtures, Grab bars are missing and/or incorrectly installed, Accessories, such as toilet seat covers, paper towel holders, garbage cans, hand dryers, and mirrors are either too high or without clear floor space or both.

Citation:

2010 ADAS Section: 603.1

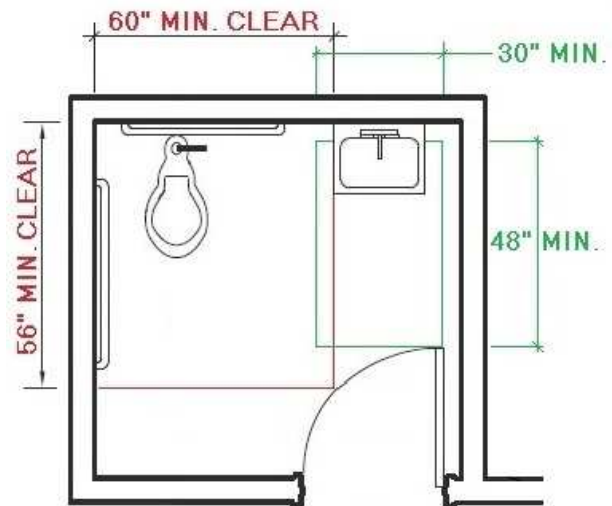
1991 ADAS Section: 4.17.1

As Built:

118 RR - not accessible

Recommendation:

Create a compliant wheelchair accessible restroom and correct all features to be accessible upon renovation.



Finding #81 Additional Finding Photos



Offices

Lat: 41.6549300000, Long: -91.5365200000

Finding: 82

Minimum maneuvering clearances at doors and gates shall comply with 404.2.4. Maneuvering clearances shall extend the full width of the doorway and the required latch side or hinge side clearance.

All interior doors must be maintained so that the operating pressure does not exceed 5 lb. force to open.

Doors, gates, and side lights adjacent to doors or gates, containing one or more glazing panels that permit viewing through the panels shall have the bottom of at least one glazed panel located 43 inches (1090 mm) maximum above the finish floor.

EXCEPTION: Vision lights with the lowest part more than 66 inches (1675 mm) from the finish floor or ground shall not be required to comply with 404.2.11.

Citation:

2010 ADAS Section: 404.2.3, 404.2.7, 404.2.4,
404.2.11, 404.2.11 Exception

1991 ADAS Section: 4.13.1

As Built:

Authorized personnel
- 12" to wall on pull,
51" window, 10#

Recommendation:

For all doors along the public circulation route, provide required maneuvering clearance on push and pull side of doors

For all doors along the public circulation route, inspect, adjust, and maintain 5 lbf to open interior doors

For all doors along the public circulation route, replace doors with ones having sidelight viewing windows max 43" aff



Finding #82 Additional Finding Photos



Offices

Lat: 41.6549300000, Long: -91.5365200000

Finding: 83

Minimum maneuvering clearances at doors and gates shall comply with 404.2.4. Maneuvering clearances shall extend the full width of the doorway and the required latch side or hinge side clearance.

The threshold has a vertical change greater than 1/4 inch high.

The threshold at a doorway shall be no higher than 1/2 inch. Changes in level between 1/4 inch and 1/2 inch must be beveled at 1:2 or less. 1/4 inch is the maximum vertical rise.

Exterior doors are recommended to be maintained at 8.5 lbf as a smart practice. Force is to be measured at the operating hardware or 30 inches from the hinges, whichever is greater.

Citation:

2010 ADAS Section: 404.2.3, 404.2.7, 404.2.4,
404.2.11, 404.2.11 Exception

1991 ADAS Section: 4.13.1

As Built:

employee entry- 18#,
cement pad 12" on
pull, 4.3% slope,
lipped threshold

Recommendation:

For all doors along the public circulation route, provide required maneuvering clearance on push and pull side of doors; correct slope in doorway clearance to max 2.08%

For all doors along the public circulation route, repair, bevel, or ramp CILs at door entries to max .25"

For all doors along the public circulation route, repair, provide beveled threshold

For all doors along the public circulation route, inspect, adjust, and maintain 8.5 lbf to open exterior doors as a smart practice



Finding #83 Additional Finding Photos



Offices

Lat: 41.6549300000, Long: -91.5365200000

Finding: 84

Minimum maneuvering clearances at doors and gates shall comply with 404.2.4. Maneuvering clearances shall extend the full width of the doorway and the required latch side or hinge side clearance.

All interior doors must be maintained so that the operating pressure does not exceed 5 lb. force to open.

Hand-activated door opening hardware, handles, pulls, latches, locks, and other operating devices on accessible doors shall have a shape that is easy to grasp with one hand and does not require tight grasping, tight pinching or twisting of the wrist to operate. Hardware shall be 34 inches minimum and 48 inches maximum above the finish floor or ground.

Citation:

2010 ADAS Section: 404.2.3, 404.2.7, 404.2.4, 404.2.11, 404.2.11 Exception

1991 ADAS Section: 4.13.1

As Built:

conference- 10#,
chairs on push, knob

Recommendation:

For all doors along the public circulation route, provide required maneuvering clearance on push and pull side of doors

For all doors along the public circulation route, inspect, adjust, and maintain 5 lbf to open interior doors

Replace hardware with lever hardware or hardware operable without a tight pinch or grasp



Offices

Lat: 41.6549300000, Long: -91.5365200000

Finding: 85

The thermostat is positioned too high for either a side or front approach.

Where a clear floor or ground space allows a parallel approach to an element and the side reach is unobstructed, the high side reach shall be 48 inches maximum and the low side reach shall be 15 inches minimum above the finish floor or ground.

Where a forward reach is unobstructed, the high forward reach shall be 48 inches maximum and the low forward reach shall be 15 inches minimum above the finish floor or ground.

Citation:

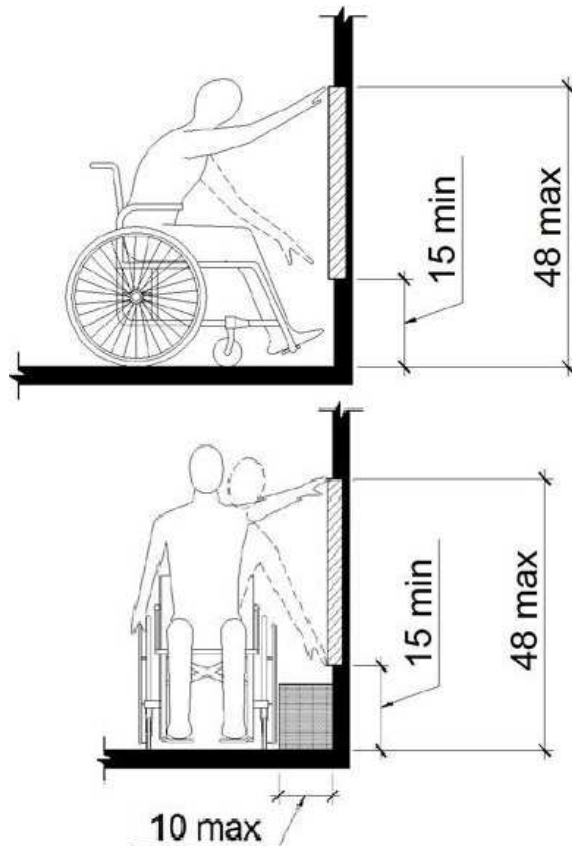
2010 ADAS Section: 308.1

As Built:

conference- 60"
thermostat

Recommendation:

For deficit, leave as is, employee work area pursuant to 2010 Standards 106.5 Defined Terms, until an employee with a disability works here



Offices

Lat: 41.6549300000, Long: -91.5365200000

Finding: 86

Minimum maneuvering clearances at doors and gates shall comply with 404.2.4. Maneuvering clearances shall extend the full width of the doorway and the required latch side or hinge side clearance.

All interior doors must be maintained so that the operating pressure does not exceed 5 lb. force to open.

Hand-activated door opening hardware, handles, pulls, latches, locks, and other operating devices on accessible doors shall have a shape that is easy to grasp with one hand and does not require tight grasping, tight pinching or twisting of the wrist to operate. Hardware shall be 34 inches minimum and 48 inches maximum above the finish floor or ground.

Citation:

2010 ADAS Section: 404.2.3, 404.2.7, 404.2.4, 404.2.11, 404.2.11 Exception

1991 ADAS Section: 4.13.1

As Built:

123 from hall- 10#, knob, wall on push and pull 14"

Recommendation:

For all doors along the public circulation route, provide required maneuvering clearance on push and pull side of doors

For all doors along the public circulation route, inspect, adjust, and maintain 5 lbf to open interior doors

Replace hardware with lever hardware or hardware operable without a tight pinch or grasp



Finding #86 Additional Finding Photos



Offices

Lat: 41.6549300000, Long: -91.5365200000

Finding: 87

The microwave is positioned too high for either a side or front approach.

Where a clear floor or ground space allows a parallel approach to an element and the side reach is unobstructed, the high side reach shall be 48 inches maximum and the low side reach shall be 15 inches minimum above the finish floor or ground.

Where a forward reach is unobstructed, the high forward reach shall be 48 inches maximum and the low forward reach shall be 15 inches minimum above the finish floor or ground.

Citation:

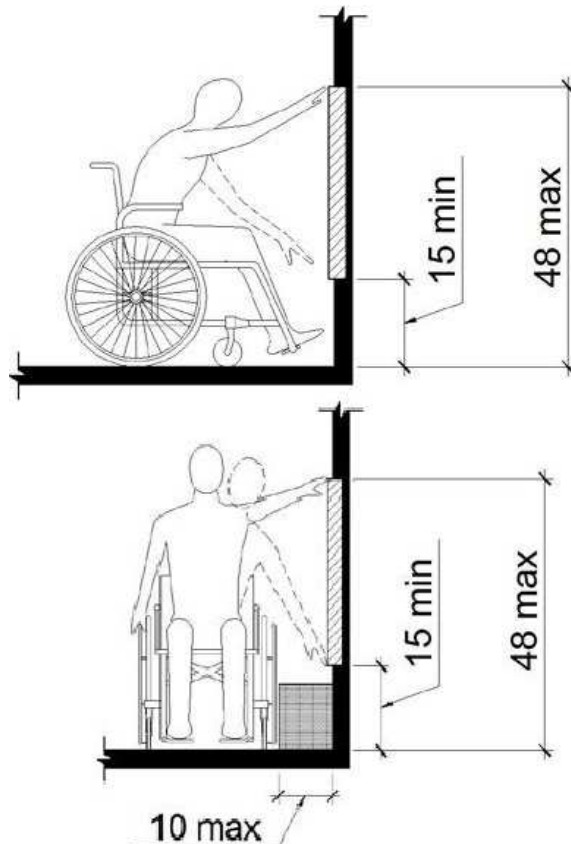
2010 ADAS Section: 308.1

As Built:

150 investigations-
microwave 70"

Recommendation:

For deficit, leave as is, employee work area pursuant to 2010 Standards 106.5 Defined Terms, until an employee with a disability works here



Offices

Lat: 41.6549300000, Long: -91.5365200000

Finding: 88

The white board is not accessible because there is not adequate clear floor space for either a forward or side approach.

The clear floor or ground space shall be 30 inches minimum by 48 inches minimum.

Citation:

2010 ADAS Section: 305.3

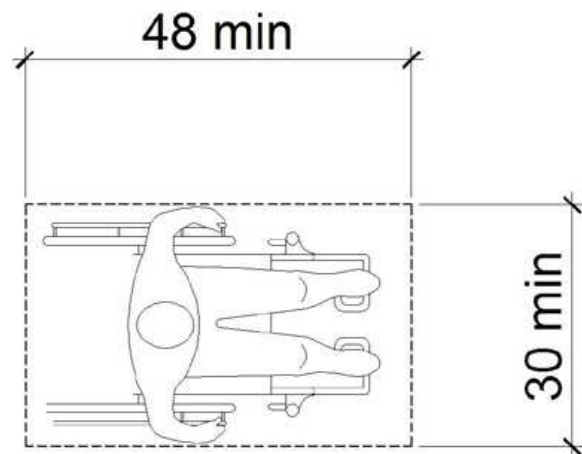
1991 ADAS Section: 4.2.4.1

As Built:

150- white boards

Recommendation:

For deficit, leave as is, employee work area pursuant to 2010 Standards 106.5 Defined Terms, until an employee with a disability works here



Offices

Lat: 41.6549300000, Long: -91.5365200000

Finding: 89

Element meets all standards and requirements

Citation:

2010 ADAS Section: 403.5.1, 302.3, 302.1, 307.2, 403.3, 305.3, 226.1, 302.2, 309.4, 304.3.1, 307.4, 606.3, 308

As Built:

151 interview room 1 - room complies

Recommendation:

None

Offices

Lat: 41.6549300000, Long: -91.5365200000

Finding: 90

The shelves project more than 4 inches into the circulation path.

Wall-mounted objects that have leading edges between 27 inches and 80 inches from the floor must not project more than 4 inches into the circulation path. Protruding objects that extend to the floor or within 27 inches of the floor are cane detectable and are therefore not hazardous. Where it is necessary or desirable to have objects protrude from the wall, a manner of cane detection must be provided.

Citation:

2010 ADAS Section: 307.2

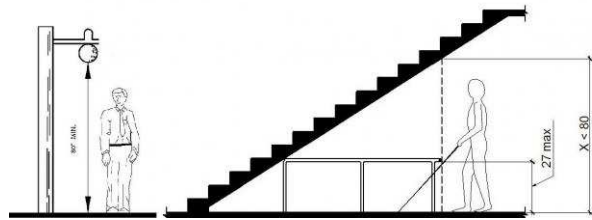
1991 ADAS Section: 4.4.1

As Built:

152 interview room 2-
shelves protrude.

Recommendation:

Relocate protruding objects or place cane detectable warning or bollard at foot of item



Finding #90 Additional Finding Photos



Offices

Lat: 41.6549300000, Long: -91.5365200000

Finding: 91

There is insufficient turning space within this room or space.

The space required for a wheelchair to make a 180-degree turn is a clear space of 60 inches in diameter or a T-shaped space.

Citation:

2010 ADAS Section: 304.3.1, 304.3.2

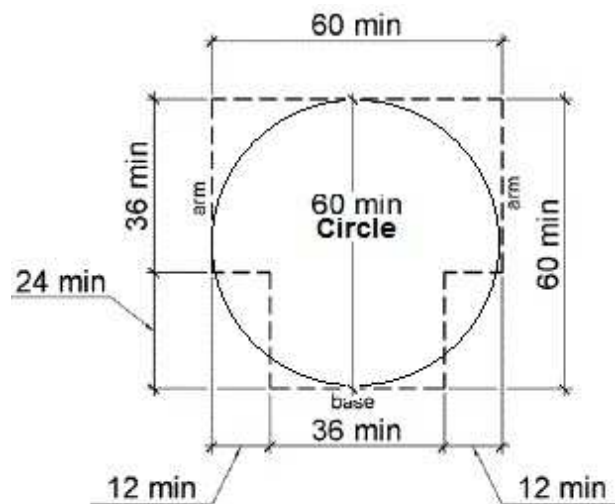
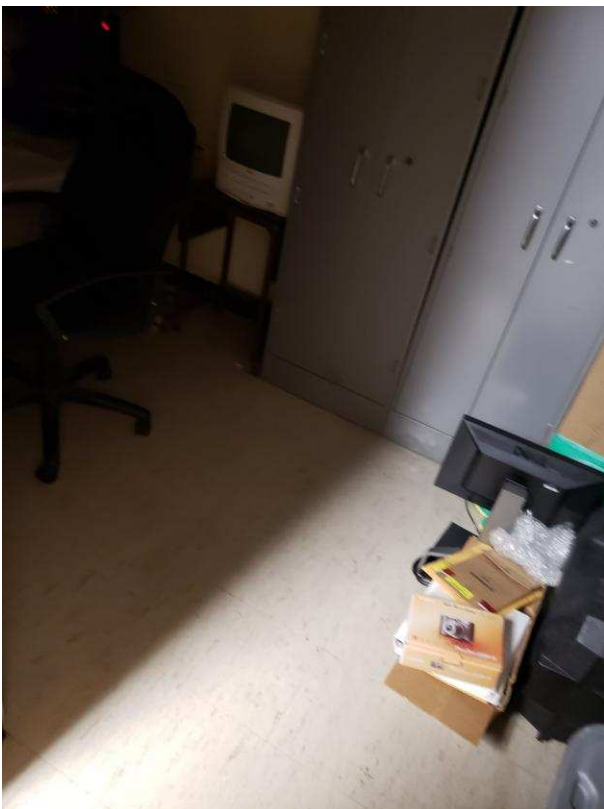
1991 ADAS Section: 4.2.3

As Built:

149- storage obstructs

Recommendation:

For deficit, leave as is, employee work area pursuant to 2010 Standards 106.5 Defined Terms, until an employee with a disability works here



Offices

Lat: 41.6549300000, Long: -91.5365200000

Finding: 92

There is insufficient turning space within this room or space.

The space required for a wheelchair to make a 180-degree turn is a clear space of 60 inches in diameter or a T-shaped space.

Citation:

2010 ADAS Section: 304.3.1, 304.3.2

1991 ADAS Section: 4.2.3

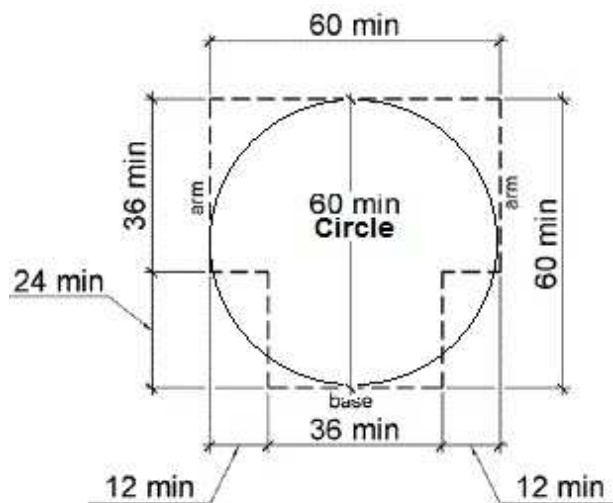
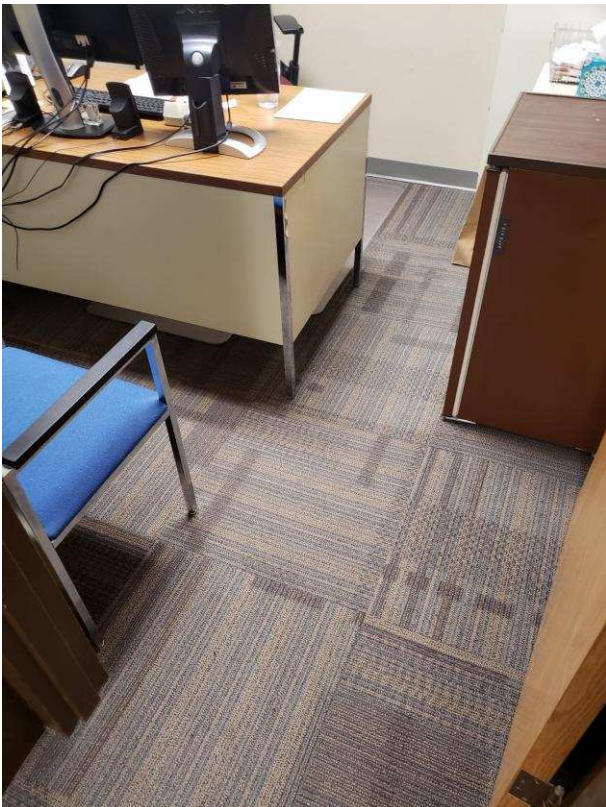
As Built:

154- furniture obstructs

Recommendation:

Relocate obstacles to create turning space in office

For deficit, leave as is, employee work area pursuant to 2010 Standards 106.5 Defined Terms, until an employee with a disability works here



Offices

Lat: 41.6549300000, Long: -91.5365200000

Finding: 93

There is insufficient turning space within this room or space.

The space required for a wheelchair to make a 180-degree turn is a clear space of 60 inches in diameter or a T-shaped space.

Citation:

2010 ADAS Section: 304.3.1, 304.3.2

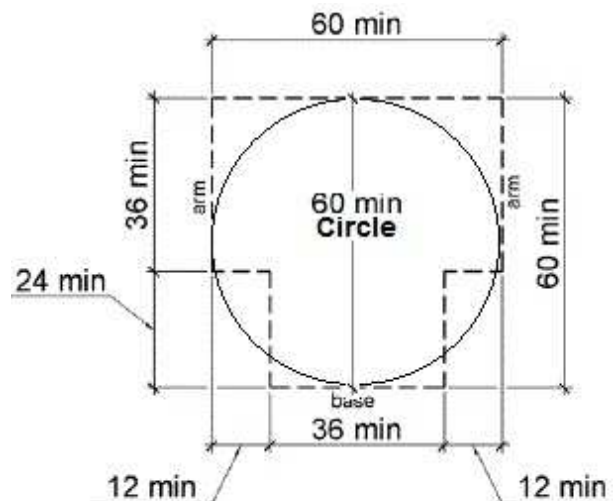
1991 ADAS Section: 4.2.3

As Built:

155- furniture obstructs

Recommendation:

Relocate obstacles to create turning space in office



Offices

Lat: 41.6549300000, Long: -91.5365200000

Finding: 94

The hooks are positioned too high for either a side or front approach.

Where a clear floor or ground space allows a parallel approach to an element and the side reach is unobstructed, the high side reach shall be 48 inches maximum and the low side reach shall be 15 inches minimum above the finish floor or ground.

Where a forward reach is unobstructed, the high forward reach shall be 48 inches maximum and the low forward reach shall be 15 inches minimum above the finish floor or ground.

Citation:

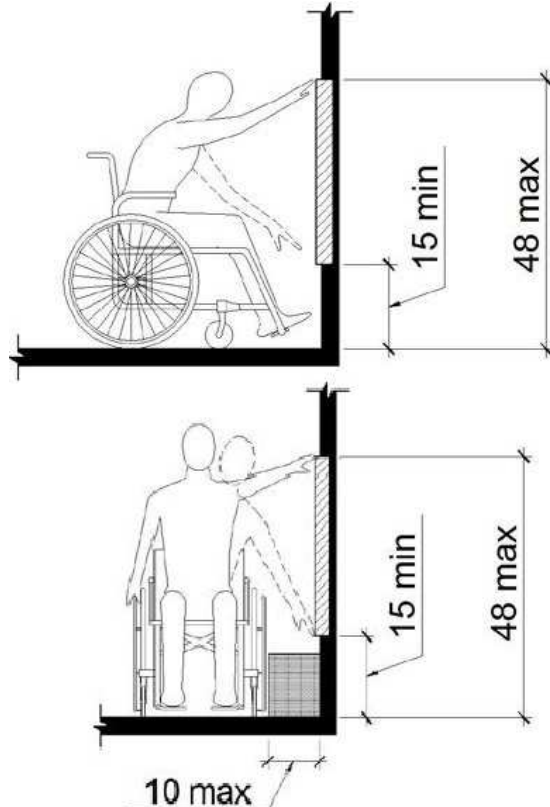
2010 ADAS Section: 308.1

As Built:

offices in detective
area: 155, 153, 158,
157, 156- hooks 65"

Recommendation:

For deficit, leave as is, employee work area pursuant to 2010 Standards 106.5 Defined Terms, until an employee with a disability works here



Finding #94 Additional Finding Photos



Offices

Lat: 41.6549300000, Long: -91.5365200000

Finding: 95

There is insufficient turning space within this room or space.

The space required for a wheelchair to make a 180-degree turn is a clear space of 60 inches in diameter or a T-shaped space.

Citation:

2010 ADAS Section: 304.3.1, 304.3.2

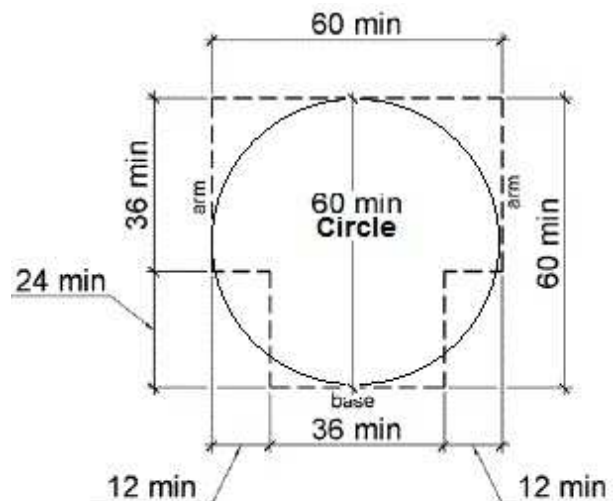
1991 ADAS Section: 4.2.3

As Built:

156- furniture obstructs

Recommendation:

Relocate obstacles to create turning space in office



Offices

Lat: 41.6549300000, Long: -91.5365200000

Finding: 96

Minimum maneuvering clearances at doors and gates shall comply with 404.2.4. Maneuvering clearances shall extend the full width of the doorway and the required latch side or hinge side clearance.

Hand-activated door opening hardware, handles, pulls, latches, locks, and other operating devices on accessible doors shall have a shape that is easy to grasp with one hand and does not require tight grasping, tight pinching or twisting of the wrist to operate. Hardware shall be 34 inches minimum and 48 inches maximum above the finish floor or ground.

Citation:

2010 ADAS Section: 404.2.3, 404.2.7, 404.2.4, 404.2.11, 404.2.11 Exception

1991 ADAS Section: 4.13.1

As Built:

156- knob, desk back on pull, chair on pull

Recommendation:

For all doors along the public circulation route, provide required maneuvering clearance on push and pull side of doors

Replace hardware with lever hardware or hardware operable without a tight pinch or grasp



Finding #96 Additional Finding Photos



Offices

Lat: 41.6549300000, Long: -91.5365200000

Finding: 97

Minimum maneuvering clearances at doors and gates shall comply with 404.2.4. Maneuvering clearances shall extend the full width of the doorway and the required latch side or hinge side clearance.

Hand-activated door opening hardware, handles, pulls, latches, locks, and other operating devices on accessible doors shall have a shape that is easy to grasp with one hand and does not require tight grasping, tight pinching or twisting of the wrist to operate. Hardware shall be 34 inches minimum and 48 inches maximum above the finish floor or ground.

Citation:

2010 ADAS Section: 404.2.3, 404.2.7, 404.2.4, 404.2.11, 404.2.11 Exception

As Built:

157- knob, desk on pull

1991 ADAS Section: 4.13.1

Recommendation:

For all doors along the public circulation route, provide required maneuvering clearance on push and pull side of doors

Replace hardware with lever hardware or hardware operable without a tight pinch or grasp



Finding #97 Additional Finding Photos



Offices

Lat: 41.6549300000, Long: -91.5365200000

Finding: 98

The sink is not accessible.

A clear floor space at least 30 inches by 48 shall be provided in front of a sink to allow forward approach.

-The clear floor space shall be on an accessible route and shall extend a maximum of 19 inches underneath the sink.

-Sinks shall be mounted with the counter or rim no higher than 34 inches above the finish floor.

-Knee clearance at least 27 inches high, 30 inches wide and 19 inches deep shall be provided.

-Hot water and drain pipes exposed under sinks shall be insulated or otherwise configured so as to protect against contact. There shall be no sharp or abrasive surfaces under sinks.

-Faucet controls not require tight grasping, pinching or twisting of the wrist.

-The force required to activate controls shall be not greater than 5 lb. Lever-operated, push-type and electronically controlled mechanisms are examples of acceptable designs.

-Self-closing valves are allowed if the faucet remains open for at least 10 seconds.

Citation:

2010 ADAS Section: 606.2

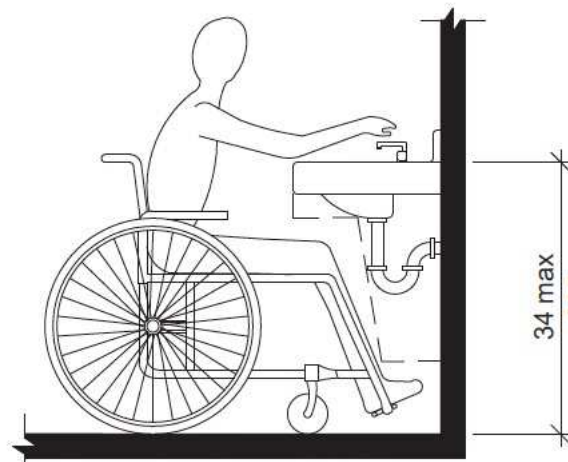
1991 ADAS Section: 4.24.5

As Built:

break lounge- sink
rim 36"

Recommendation:

Lower sink to max 34" aff to front of rim



Finding #98 Additional Finding Photos



Offices

Lat: 41.6549300000, Long: -91.5365200000

Finding: 99

Compliant knee and/or toe clearance is not provided.

When seating for persons in wheelchairs is provided at fixed tables or counters, knee spaces at least 27 inches high, 30 inches wide and 19 inches deep shall be provided.

Citation:

2010 ADAS Section: 306.2.1

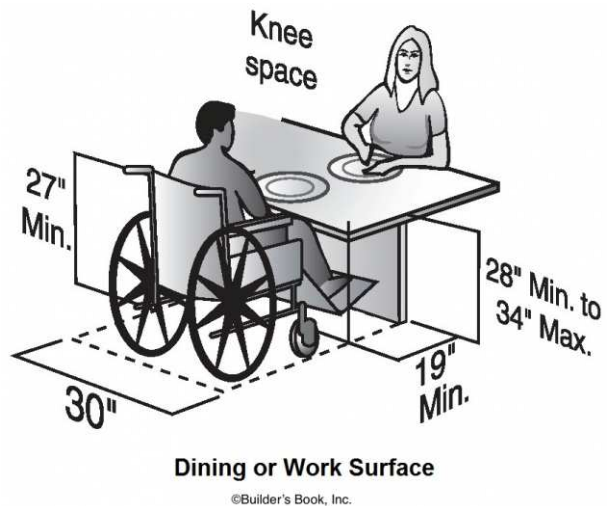
1991 ADAS Section: 4.32.3

As Built:

lounge/break- tables
lack toe clearance

Recommendation:

Replace 5% of tables with ones providing required knee and toe clearances



Finding #99 Additional Finding Photos



Offices

Lat: 41.6549300000, Long: -91.5365200000

Finding: 100

The phone is positioned too high for either a side or front approach.

Where a clear floor or ground space allows a parallel approach to an element and the side reach is unobstructed, the high side reach shall be 48 inches maximum and the low side reach shall be 15 inches minimum above the finish floor or ground.

Where a forward reach is unobstructed, the high forward reach shall be 48 inches maximum and the low forward reach shall be 15 inches minimum above the finish floor or ground.

Citation:

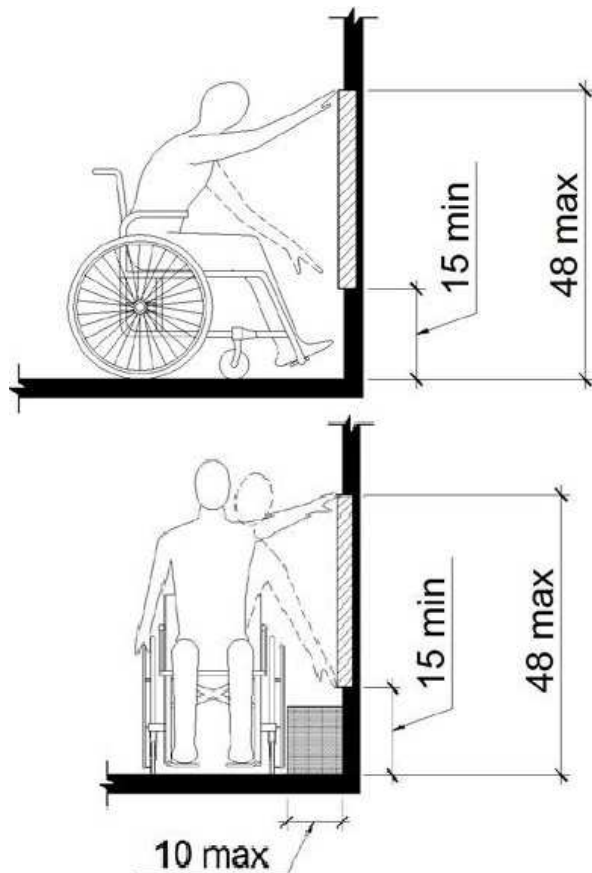
2010 ADAS Section: 308.1

As Built:

break/lounge- phone
58"

Recommendation:

Remount operable parts to be in reach range of 15" min to 48" max



Finding #100 Additional Finding Photos



Offices

Lat: 41.6549300000, Long: -91.5365200000

Finding: 101

The thermostat is positioned too high for either a side or front approach.

Where a clear floor or ground space allows a parallel approach to an element and the side reach is unobstructed, the high side reach shall be 48 inches maximum and the low side reach shall be 15 inches minimum above the finish floor or ground.

Where a forward reach is unobstructed, the high forward reach shall be 48 inches maximum and the low forward reach shall be 15 inches minimum above the finish floor or ground.

Citation:

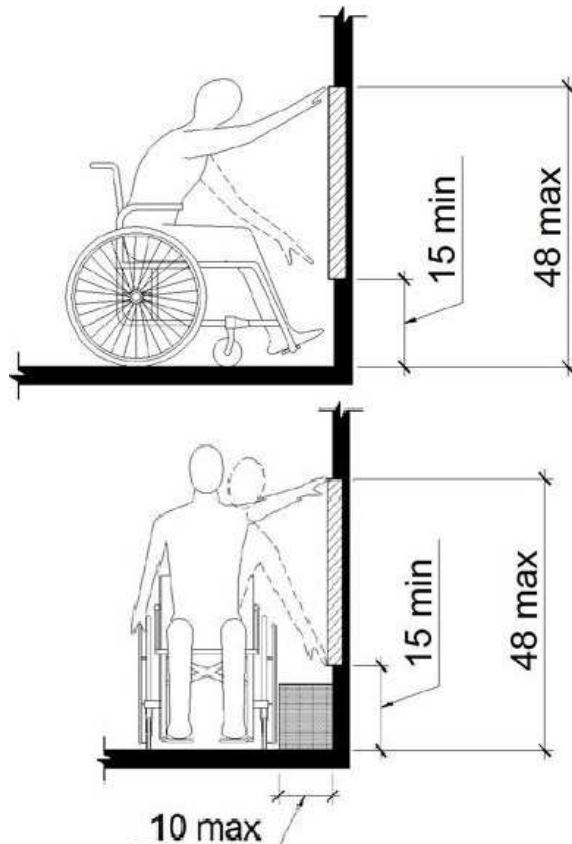
2010 ADAS Section: 308.1

As Built:

119 conference-thermostat

Recommendation:

For deficit, leave as is, employee work area pursuant to 2010 Standards 106.5 Defined Terms, until an employee with a disability works here



Finding #101 Additional Finding Photos



Offices

Lat: 41.6549300000, Long: -91.5365200000

Finding: 102

The thermostat is not accessible because there is not adequate clear floor space for either a forward or side approach.

The clear floor or ground space shall be 30 inches minimum by 48 inches minimum.

Citation:

2010 ADAS Section: 305.3

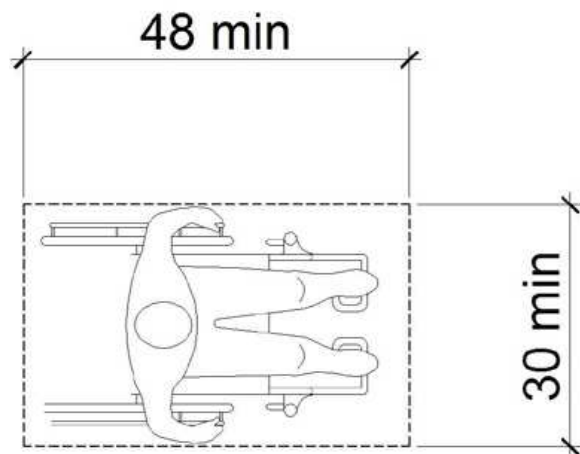
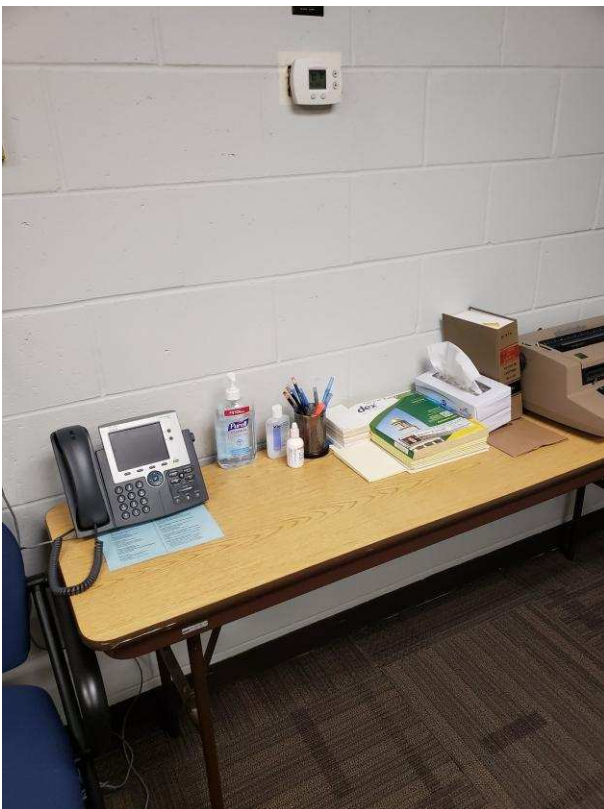
1991 ADAS Section: 4.2.4.1

As Built:

119 conference-thermostat has table under

Recommendation:

For deficit, leave as is, employee work area pursuant to 2010 Standards 106.5 Defined Terms, until an employee with a disability works here



Offices

Lat: 41.6549300000, Long: -91.5365200000

Finding: 103

The hooks are positioned too high for either a side or front approach.

Where a clear floor or ground space allows a parallel approach to an element and the side reach is unobstructed, the high side reach shall be 48 inches maximum and the low side reach shall be 15 inches minimum above the finish floor or ground.

Where a forward reach is unobstructed, the high forward reach shall be 48 inches maximum and the low forward reach shall be 15 inches minimum above the finish floor or ground.

Citation:

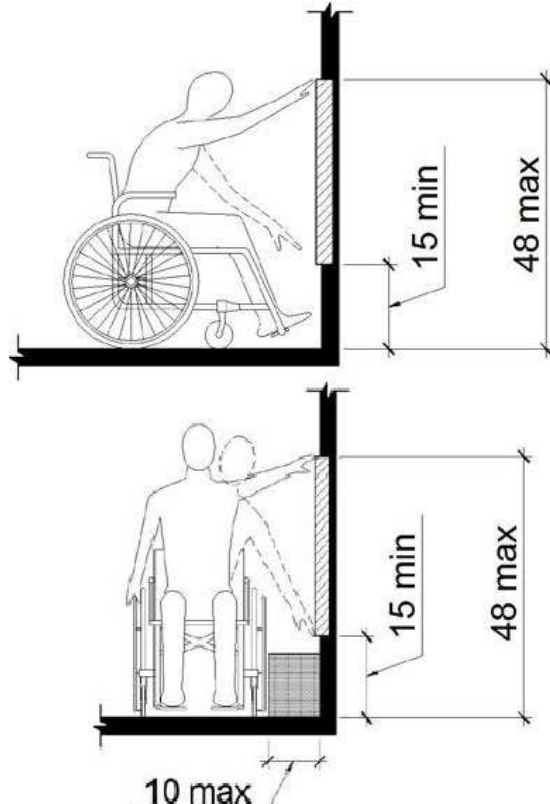
2010 ADAS Section: 308.1

As Built:

offices in admin area:
116, 115, 114- hooks
65"

Recommendation:

For deficit, leave as is, employee work area pursuant to 2010 Standards 106.5 Defined Terms, until an employee with a disability works here



Finding #103 Additional Finding Photos



Offices

Lat: 41.6549300000, Long: -91.5365200000

Finding: 104

There is insufficient turning space within this room or space.

The space required for a wheelchair to make a 180-degree turn is a clear space of 60 inches in diameter or a T-shaped space.

Citation:

2010 ADAS Section: 304.3.1, 304.3.2

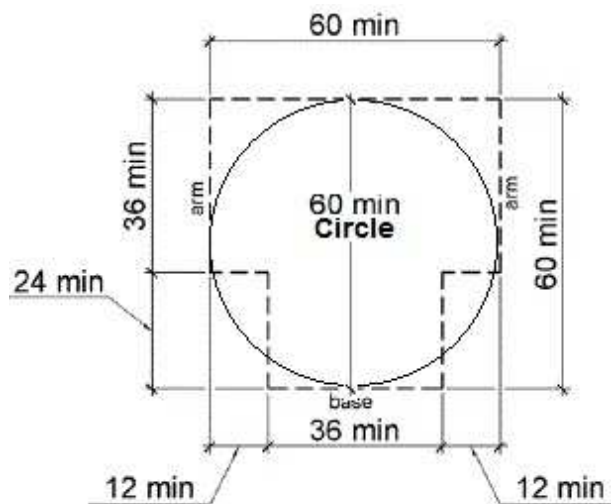
1991 ADAS Section: 4.2.3

As Built:

114- furniture obstructs

Recommendation:

For deficit, leave as is, employee work area pursuant to 2010 Standards 106.5 Defined Terms, until an employee with a disability works here



Offices

Lat: 41.6549300000, Long: -91.5365200000

Finding: 105

Minimum maneuvering clearances at doors and gates shall comply with 404.2.4. Maneuvering clearances shall extend the full width of the doorway and the required latch side or hinge side clearance.

Hand-activated door opening hardware, handles, pulls, latches, locks, and other operating devices on accessible doors shall have a shape that is easy to grasp with one hand and does not require tight grasping, tight pinching or twisting of the wrist to operate. Hardware shall be 34 inches minimum and 48 inches maximum above the finish floor or ground.

Citation:

2010 ADAS Section: 404.2.3, 404.2.7, 404.2.4, 404.2.11, 404.2.11 Exception

As Built:

116- knob, chairs on pull

1991 ADAS Section: 4.13.1

Recommendation:

For all doors along the public circulation route, provide required maneuvering clearance on push and pull side of doors

Replace hardware with lever hardware or hardware operable without a tight pinch or grasp



Finding #105 Additional Finding Photos



Offices

Lat: 41.6549300000, Long: -91.5365200000

Finding: 106

Minimum maneuvering clearances at doors and gates shall comply with 404.2.4. Maneuvering clearances shall extend the full width of the doorway and the required latch side or hinge side clearance.

Hand-activated door opening hardware, handles, pulls, latches, locks, and other operating devices on accessible doors shall have a shape that is easy to grasp with one hand and does not require tight grasping, tight pinching or twisting of the wrist to operate. Hardware shall be 34 inches minimum and 48 inches maximum above the finish floor or ground.

Citation:

2010 ADAS Section: 404.2.3, 404.2.7, 404.2.4, 404.2.11, 404.2.11 Exception

As Built:

114- knob, chair on pull

1991 ADAS Section: 4.13.1

Recommendation:

For all doors along the public circulation route, provide required maneuvering clearance on push and pull side of doors

Replace hardware with lever hardware or hardware operable without a tight pinch or grasp



Finding #106 Additional Finding Photos



Offices

Lat: 41.6549300000, Long: -91.5365200000

Finding: 107

The thermostat is positioned too high for either a side or front approach.

Where a clear floor or ground space allows a parallel approach to an element and the side reach is unobstructed, the high side reach shall be 48 inches maximum and the low side reach shall be 15 inches minimum above the finish floor or ground.

Where a forward reach is unobstructed, the high forward reach shall be 48 inches maximum and the low forward reach shall be 15 inches minimum above the finish floor or ground.

Citation:

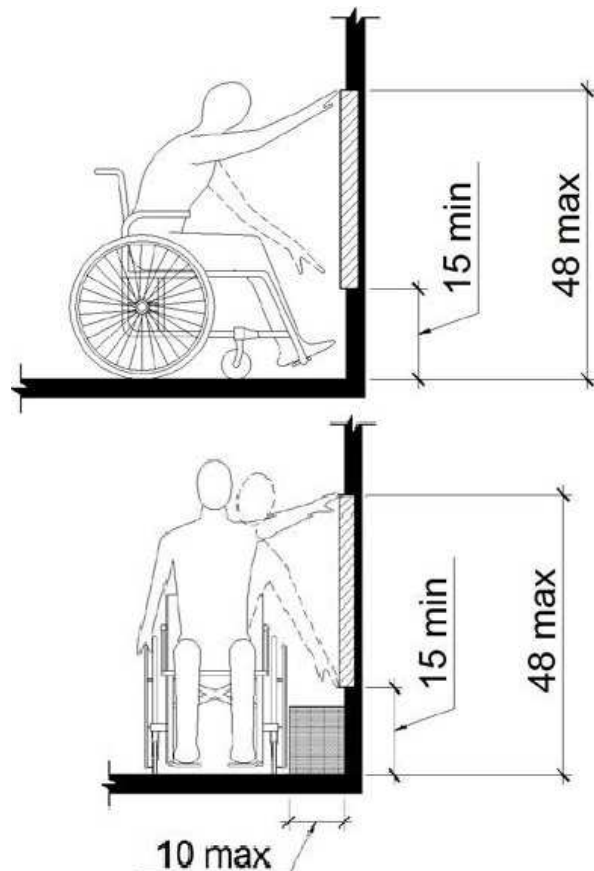
2010 ADAS Section: 308.1

As Built:

116- thermostat high

Recommendation:

For deficit, leave as is, employee work area pursuant to 2010 Standards 106.5 Defined Terms, until an employee with a disability works here



Finding #107 Additional Finding Photos



Offices

Lat: 41.6549300000, Long: -91.5365200000

Finding: 108

The thermostat is not accessible because there is not adequate clear floor space for either a forward or side approach.

The clear floor or ground space shall be 30 inches minimum by 48 inches minimum.

Citation:

2010 ADAS Section: 305.3

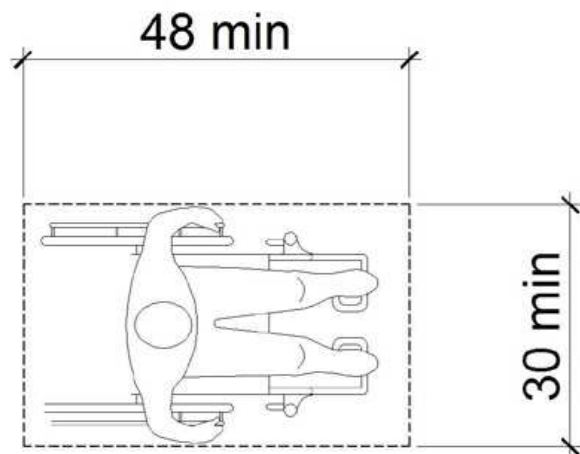
1991 ADAS Section: 4.2.4.1

As Built:

reception area-
thermostat

Recommendation:

For deficit, leave as is, employee work area pursuant to 2010 Standards 106.5 Defined Terms, until an employee with a disability works here



Offices

Lat: 41.6549300000, Long: -91.5365200000

Finding: 109

There is a change in level greater than 1/4 inch.

1/4 inch is the maximum vertical rise. Changes in level between 1/4 inch and 1/2 inch must be beveled at 1:2 or less. Changes in level greater than 1/2 inch must be by way of a ramp.

Citation:

2010 ADAS Section: 303.3

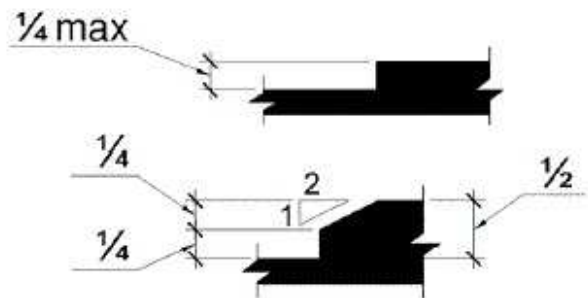
1991 ADAS Section: 4.3.8

As Built:

148- 2.5" CIL to files

Recommendation:

For deficit, leave as is, employee work area pursuant to 2010 Standards 106.5 Defined Terms, until an employee with a disability works here



Finding #109 Additional Finding Photos



Offices

Lat: 41.6549300000, Long: -91.5365200000

Finding: 110

There is insufficient turning space within this room or space.

The space required for a wheelchair to make a 180-degree turn is a clear space of 60 inches in diameter or a T-shaped space.

Citation:

2010 ADAS Section: 304.3.1, 304.3.2

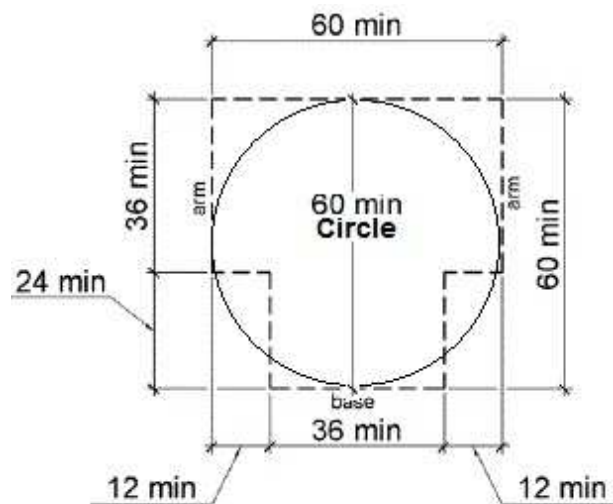
1991 ADAS Section: 4.2.3

As Built:

148- storage prevents turning

Recommendation:

For deficit, leave as is, employee work area pursuant to 2010 Standards 106.5 Defined Terms, until an employee with a disability works here



Offices

Lat: 41.6549300000, Long: -91.5365200000

Finding: 111

Element meets all standards and requirements

Citation:

2010 ADAS Section: 403.5.1, 302.3, 302.1, 307.2, 403.3, 305.3, 226.1, 302.2, 309.4, 304.3.1, 307.4, 606.3, 308

As Built:

records division
office - room
complies

Recommendation:

None

Offices

Lat: 41.6549300000, Long: -91.5365200000

Finding: 112

There is insufficient turning space within this room or space.

The space required for a wheelchair to make a 180-degree turn is a clear space of 60 inches in diameter or a T-shaped space.

Citation:

2010 ADAS Section: 304.3.1, 304.3.2

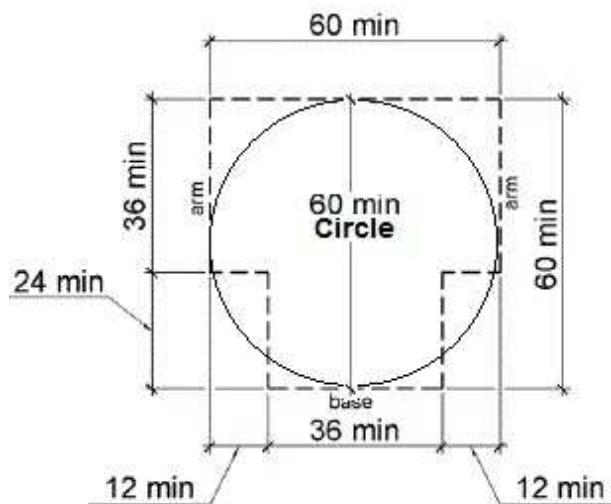
1991 ADAS Section: 4.2.3

As Built:

civil division-
furniture

Recommendation:

For deficit, leave as is, employee work area pursuant to 2010 Standards 106.5 Defined Terms, until an employee with a disability works here



Offices

Lat: 41.6549300000, Long: -91.5365200000

Finding: 113

The hook is positioned too high for either a side or front approach.

Where a clear floor or ground space allows a parallel approach to an element and the side reach is unobstructed, the high side reach shall be 48 inches maximum and the low side reach shall be 15 inches minimum above the finish floor or ground.

Where a forward reach is unobstructed, the high forward reach shall be 48 inches maximum and the low forward reach shall be 15 inches minimum above the finish floor or ground.

Citation:

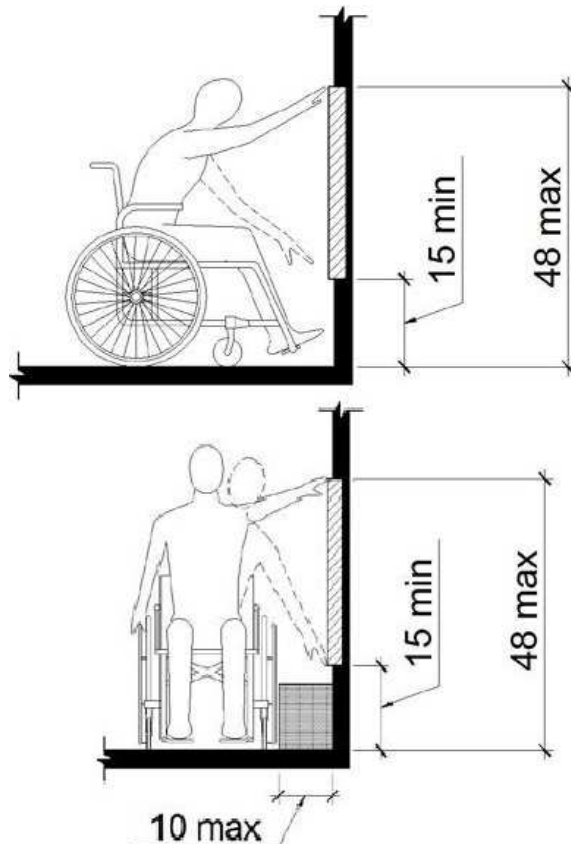
2010 ADAS Section: 308.1

As Built:

civil division- 65"
hook

Recommendation:

For deficit, leave as is, employee work area pursuant to 2010 Standards 106.5 Defined Terms, until an employee with a disability works here



Finding #113 Additional Finding Photos



Offices

Lat: 41.6549300000, Long: -91.5365200000

Finding: 114

The shelves project more than 4 inches into the circulation path.

Wall-mounted objects that have leading edges between 27 inches and 80 inches from the floor must not project more than 4 inches into the circulation path. Protruding objects that extend to the floor or within 27 inches of the floor are cane detectable and are therefore not hazardous. Where it is necessary or desirable to have objects protrude from the wall, a manner of cane detection must be provided.

Citation:

2010 ADAS Section: 307.2

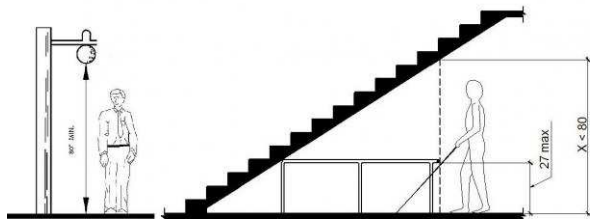
1991 ADAS Section: 4.4.1

As Built:

civil division- shelves

Recommendation:

For deficit, leave as is, employee work area pursuant to 2010 Standards 106.5 Defined Terms, until an employee with a disability works here



Offices

Lat: 41.6549300000, Long: -91.5365200000

Finding: 115

There is insufficient turning space within this room or space.

The space required for a wheelchair to make a 180-degree turn is a clear space of 60 inches in diameter or a T-shaped space.

Citation:

2010 ADAS Section: 304.3.1, 304.3.2

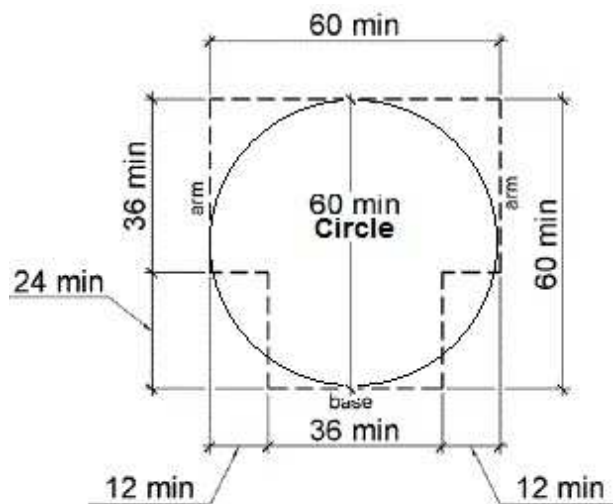
1991 ADAS Section: 4.2.3

As Built:

140- storage

Recommendation:

For deficit, leave as is, employee work area pursuant to 2010 Standards 106.5 Defined Terms, until an employee with a disability works here



Offices

Lat: 41.6549300000, Long: -91.5365200000

Finding: 116

There is insufficient turning space within this room or space.

The space required for a wheelchair to make a 180-degree turn is a clear space of 60 inches in diameter or a T-shaped space.

Citation:

2010 ADAS Section: 304.3.1, 304.3.2

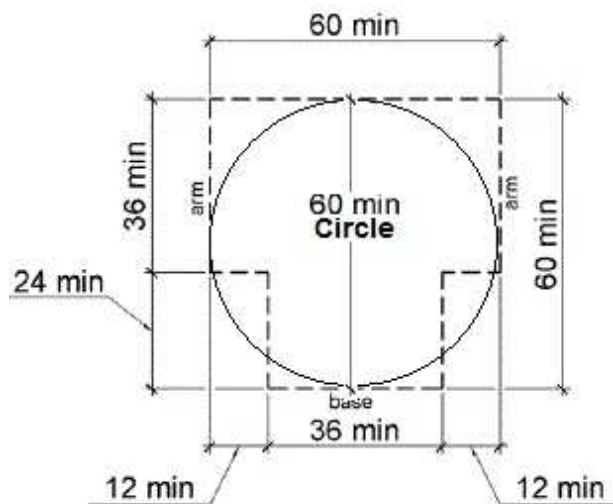
1991 ADAS Section: 4.2.3

As Built:

139 janitor- storage

Recommendation:

For deficit, leave as is, employee work area pursuant to 2010 Standards 106.5 Defined Terms, until an employee with a disability works here



Offices

Lat: 41.6549300000, Long: -91.5365200000

Finding: 117

There is insufficient turning space within this room or space.

The space required for a wheelchair to make a 180-degree turn is a clear space of 60 inches in diameter or a T-shaped space.

Citation:

2010 ADAS Section: 304.3.1, 304.3.2

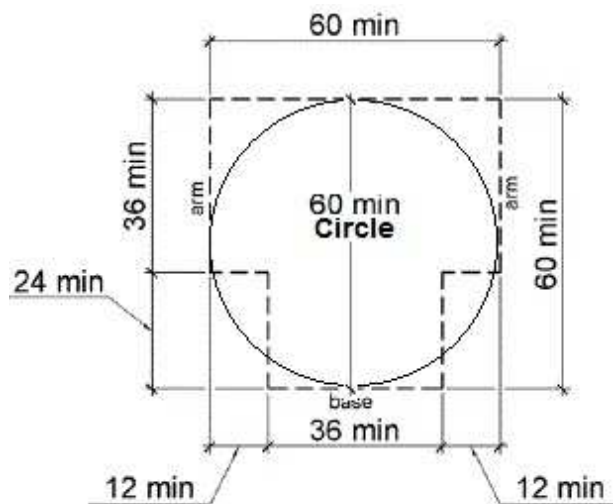
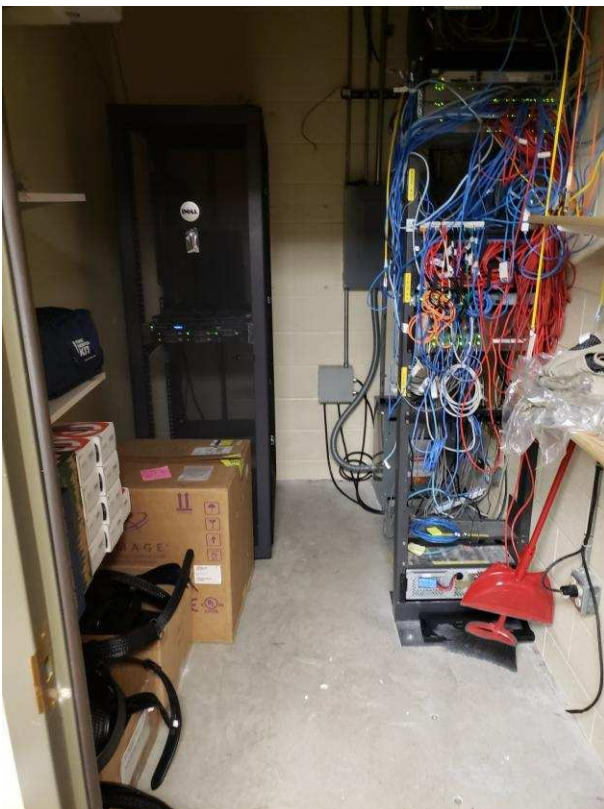
1991 ADAS Section: 4.2.3

As Built:

IT in 113- storage

Recommendation:

For deficit, leave as is, employee work area pursuant to 2010 Standards 106.5 Defined Terms, until an employee with a disability works here



Offices

Lat: 41.6549300000, Long: -91.5365200000

Finding: 118

The shelves project more than 4 inches into the circulation path.

Wall-mounted objects that have leading edges between 27 inches and 80 inches from the floor must not project more than 4 inches into the circulation path. Protruding objects that extend to the floor or within 27 inches of the floor are cane detectable and are therefore not hazardous. Where it is necessary or desirable to have objects protrude from the wall, a manner of cane detection must be provided.

Citation:

2010 ADAS Section: 307.2

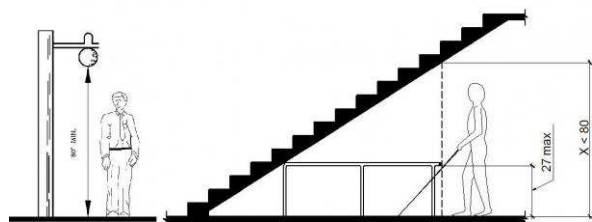
1991 ADAS Section: 4.4.1

As Built:

113 IT- shelves

Recommendation:

For deficit, leave as is, employee work area pursuant to 2010 Standards 106.5 Defined Terms, until an employee with a disability works here



Offices

Lat: 41.6549300000, Long: -91.5365200000

Finding: 119

The hooks and thermostat are positioned too high for either a side or front approach.

Where a clear floor or ground space allows a parallel approach to an element and the side reach is unobstructed, the high side reach shall be 48 inches maximum and the low side reach shall be 15 inches minimum above the finish floor or ground.

Where a forward reach is unobstructed, the high forward reach shall be 48 inches maximum and the low forward reach shall be 15 inches minimum above the finish floor or ground.

Citation:

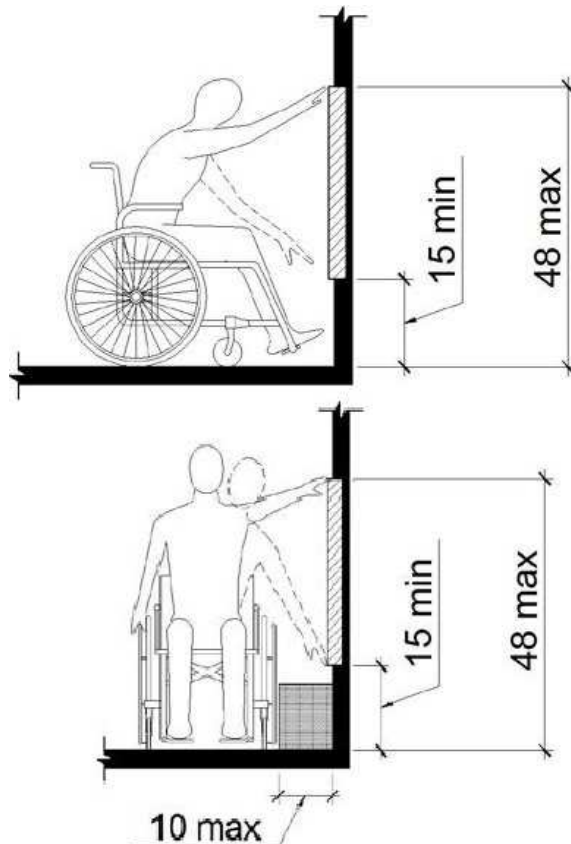
2010 ADAS Section: 308.1

As Built:

113- hooks and thermostat

Recommendation:

For deficit, leave as is, employee work area pursuant to 2010 Standards 106.5 Defined Terms, until an employee with a disability works here



Finding #119 Additional Finding Photos



Offices

Lat: 41.6549300000, Long: -91.5365200000

Finding: 120

The shelves project more than 4 inches into the circulation path.

Wall-mounted objects that have leading edges between 27 inches and 80 inches from the floor must not project more than 4 inches into the circulation path. Protruding objects that extend to the floor or within 27 inches of the floor are cane detectable and are therefore not hazardous. Where it is necessary or desirable to have objects protrude from the wall, a manner of cane detection must be provided.

Citation:

2010 ADAS Section: 307.2

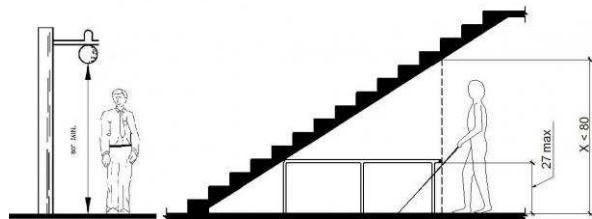
1991 ADAS Section: 4.4.1

As Built:

111 patrol office-shelves

Recommendation:

For deficit, leave as is, employee work area pursuant to 2010 Standards 106.5 Defined Terms, until an employee with a disability works here



Finding #120 Additional Finding Photos



Offices

Lat: 41.6549300000, Long: -91.5365200000

Finding: 121

Element meets all standards and requirements

Citation:

2010 ADAS Section: 403.5.1, 302.3, 302.1, 307.2,
403.3, 305.3, 226.1, 302.2, 309.4, 304.3.1, 307.4,
606.3, 308

As Built:

112 storage inside
111 - room complies

Recommendation:

None

Offices

Lat: 41.6549300000, Long: -91.5365200000

Finding: 122

There is insufficient turning space within this room or space.

The space required for a wheelchair to make a 180-degree turn is a clear space of 60 inches in diameter or a T-shaped space.

Citation:

2010 ADAS Section: 304.3.1, 304.3.2

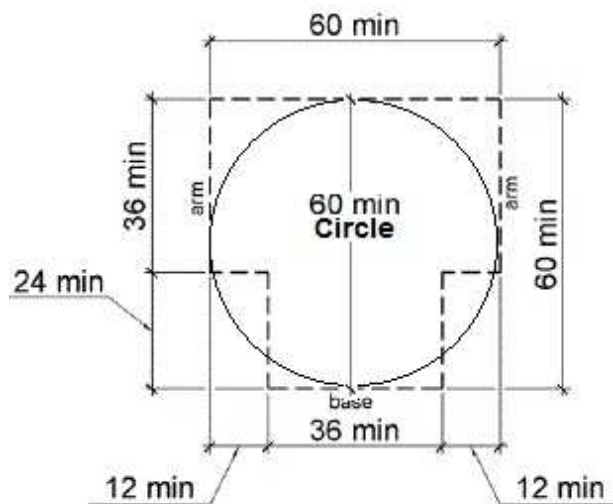
1991 ADAS Section: 4.2.3

As Built:

130- storage

Recommendation:

For deficit, leave as is, employee work area pursuant to 2010 Standards 106.5 Defined Terms, until an employee with a disability works here



Offices

Lat: 41.6549300000, Long: -91.5365200000

Finding: 123

The shelf projects more than 4 inches into the circulation path.

Wall-mounted objects that have leading edges between 27 inches and 80 inches from the floor must not project more than 4 inches into the circulation path. Protruding objects that extend to the floor or within 27 inches of the floor are cane detectable and are therefore not hazardous. Where it is necessary or desirable to have objects protrude from the wall, a manner of cane detection must be provided.

Citation:

2010 ADAS Section: 307.2

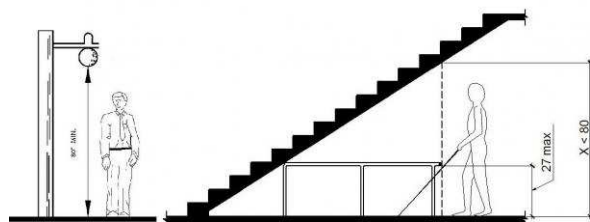
1991 ADAS Section: 4.4.1

As Built:

110- shelf protrudes

Recommendation:

For deficit, leave as is, employee work area pursuant to 2010 Standards 106.5 Defined Terms, until an employee with a disability works here



Offices

Lat: 41.6549300000, Long: -91.5365200000

Finding: 124

The sink is not accessible.

A clear floor space at least 30 inches by 48 shall be provided in front of a sink to allow forward approach.

-The clear floor space shall be on an accessible route and shall extend a maximum of 19 inches underneath the sink.

-Sinks shall be mounted with the counter or rim no higher than 34 inches above the finish floor.

-Knee clearance at least 27 inches high, 30 inches wide and 19 inches deep shall be provided.

-Hot water and drain pipes exposed under sinks shall be insulated or otherwise configured so as to protect against contact. There shall be no sharp or abrasive surfaces under sinks.

-Faucet controls not require tight grasping, pinching or twisting of the wrist.

-The force required to activate controls shall be not greater than 5 lb. Lever-operated, push-type and electronically controlled mechanisms are examples of acceptable designs.

-Self-closing valves are allowed if the faucet remains open for at least 10 seconds.

Citation:

2010 ADAS Section: 606.2

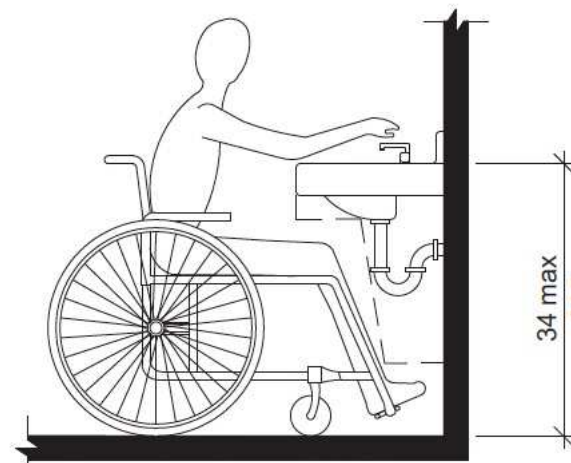
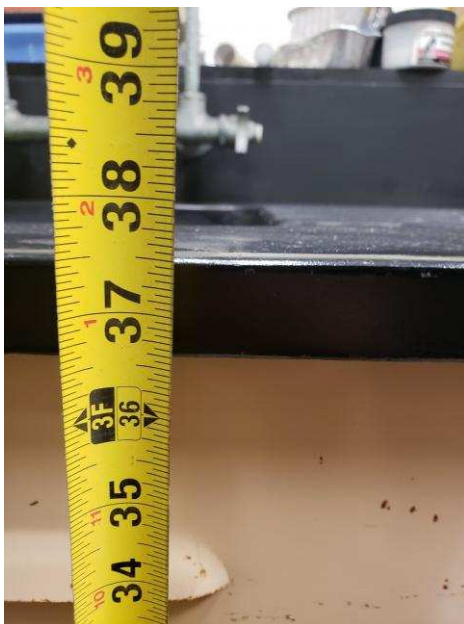
1991 ADAS Section: 4.24.5

As Built:

102B- 37.5" rim

Recommendation:

For deficit, leave as is, employee work area pursuant to 2010 Standards 106.5 Defined Terms, until an employee with a disability works here



Finding #124 Additional Finding Photos



Offices

Lat: 41.6549300000, Long: -91.5365200000

Finding: 125

The knobs are positioned too high for either a side or front approach.

Where a clear floor or ground space allows a parallel approach to an element and the side reach is unobstructed, the high side reach shall be 48 inches maximum and the low side reach shall be 15 inches minimum above the finish floor or ground.

Where a forward reach is unobstructed, the high forward reach shall be 48 inches maximum and the low forward reach shall be 15 inches minimum above the finish floor or ground.

Citation:

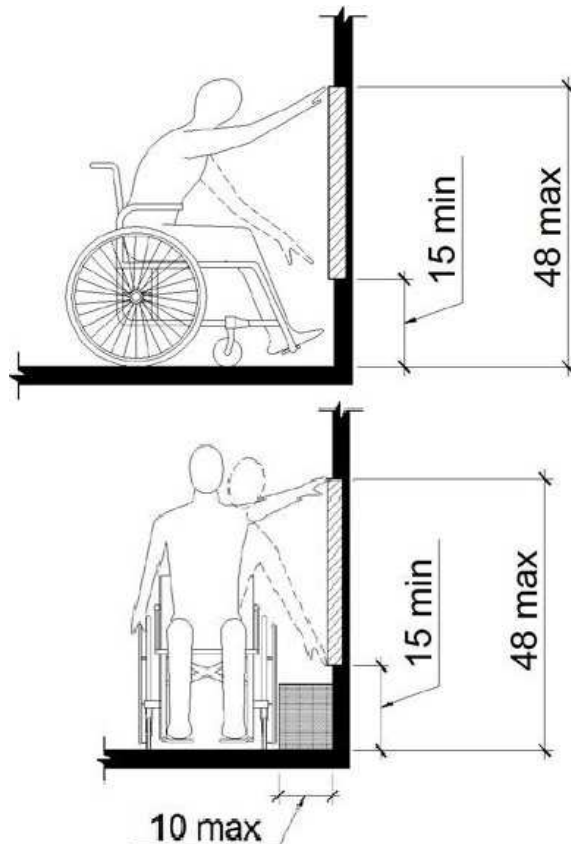
2010 ADAS Section: 308.1

As Built:

102B- reach on machines

Recommendation:

For deficit, leave as is, employee work area pursuant to 2010 Standards 106.5 Defined Terms, until an employee with a disability works here



Finding #125 Additional Finding Photos



Offices

Lat: 41.6549300000, Long: -91.5365200000

Finding: 126

The route of travel at this location does not provide a minimum width of 36 inches.

The clear width shall be permitted to be reduced to 32 inches minimum for a length of 24 inches maximum provided that reduced width segments are separated by segments that are 48 inches long minimum and 36 inches wide minimum.

Citation:

2010 ADAS Section: 403.5.1

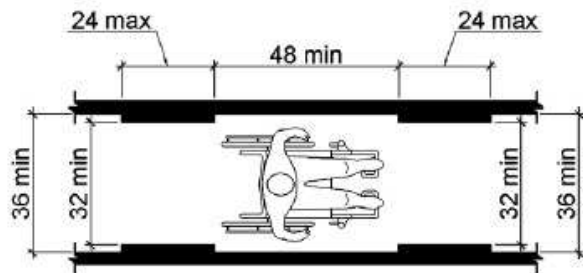
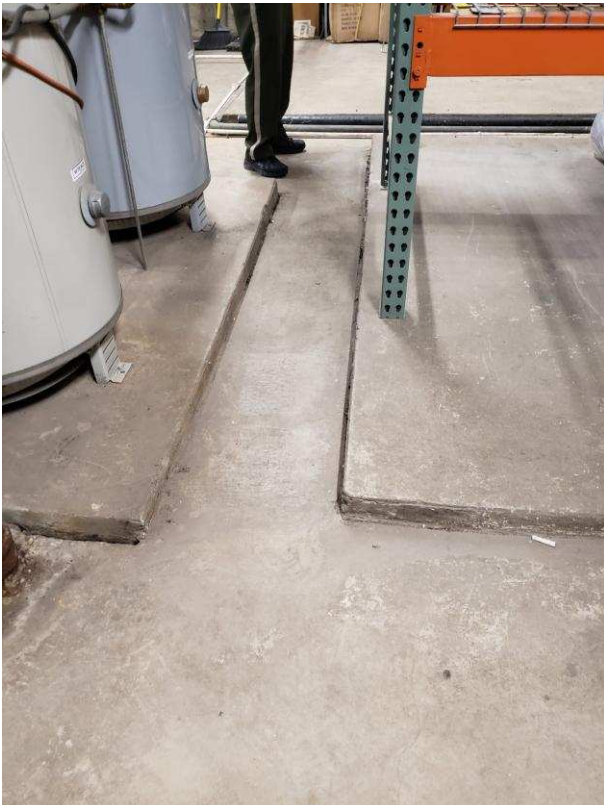
1991 ADAS Section: 4.3.3

As Built:

127 mechanical-narrows to other side of room

Recommendation:

For deficit, leave as is, employee work area pursuant to 2010 Standards 106.5 Defined Terms, until an employee with a disability works here



Offices

Lat: 41.6549300000, Long: -91.5365200000

Finding: 127

There is a change in level greater than 1/4 inch.

1/4 inch is the maximum vertical rise. Changes in level between 1/4 inch and 1/2 inch must be beveled at 1:2 or less. Changes in level greater than 1/2 inch must be by way of a ramp.

Citation:

2010 ADAS Section: 303.3

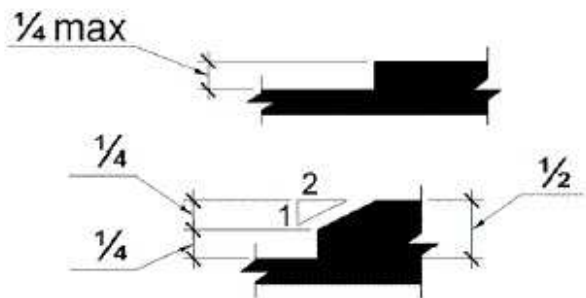
1991 ADAS Section: 4.3.8

As Built:

127 mechanical-
multiple CIL at
cement

Recommendation:

For deficit, leave as is, employee work area pursuant to 2010 Standards 106.5 Defined Terms, until an employee with a disability works here"



Finding #127 Additional Finding Photos



Offices

Lat: 41.6549300000, Long: -91.5365200000

Finding: 128

There is no accessible route between the main floor and the mechanical room

An accessible route of travel must connect all elements and spaces within a building or facility.

Citation:

2010 ADAS Section: 206.2.4

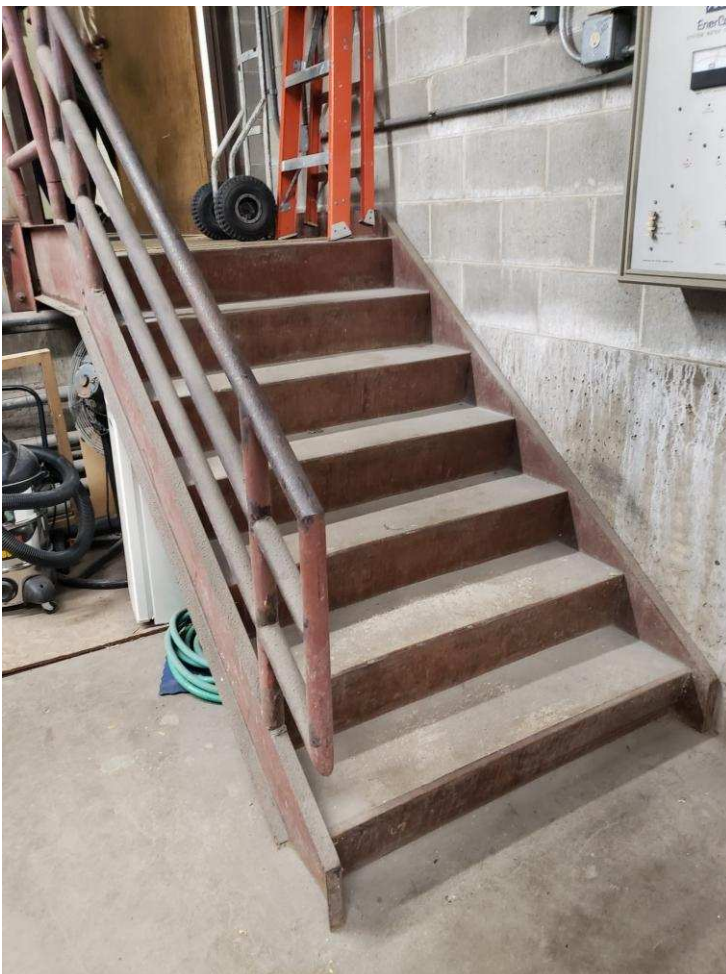
1991 ADAS Section: 4.1.3

As Built:

mechanical 127- steps
only way down into

Recommendation:

No AR to lower level employee area, leave as is, and reassign duties if an employee with disabilities requires access here



Offices

Lat: 41.6549300000, Long: -91.5365200000

Finding: 129

The shelves project more than 4 inches into the circulation path.

Wall-mounted objects that have leading edges between 27 inches and 80 inches from the floor must not project more than 4 inches into the circulation path. Protruding objects that extend to the floor or within 27 inches of the floor are cane detectable and are therefore not hazardous. Where it is necessary or desirable to have objects protrude from the wall, a manner of cane detection must be provided.

Citation:

2010 ADAS Section: 307.2

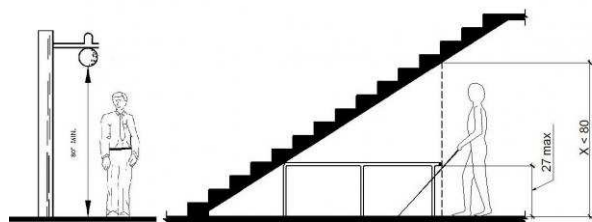
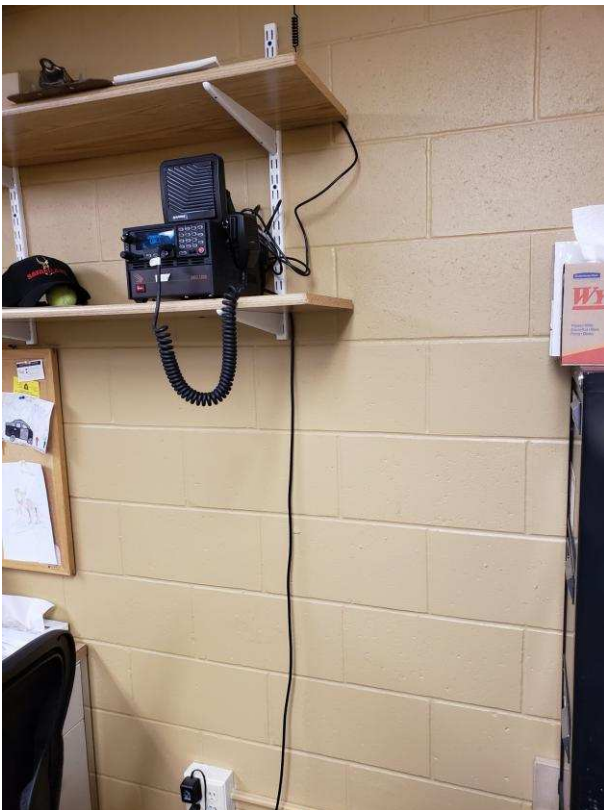
1991 ADAS Section: 4.4.1

As Built:

128- shelves

Recommendation:

For deficit, leave as is, employee work area pursuant to 2010 Standards 106.5 Defined Terms, until an employee with a disability works here



Offices

Lat: 41.6549300000, Long: -91.5365200000

Finding: 130

The thermostat is positioned too high for either a side or front approach.

Where a clear floor or ground space allows a parallel approach to an element and the side reach is unobstructed, the high side reach shall be 48 inches maximum and the low side reach shall be 15 inches minimum above the finish floor or ground.

Where a forward reach is unobstructed, the high forward reach shall be 48 inches maximum and the low forward reach shall be 15 inches minimum above the finish floor or ground.

Citation:

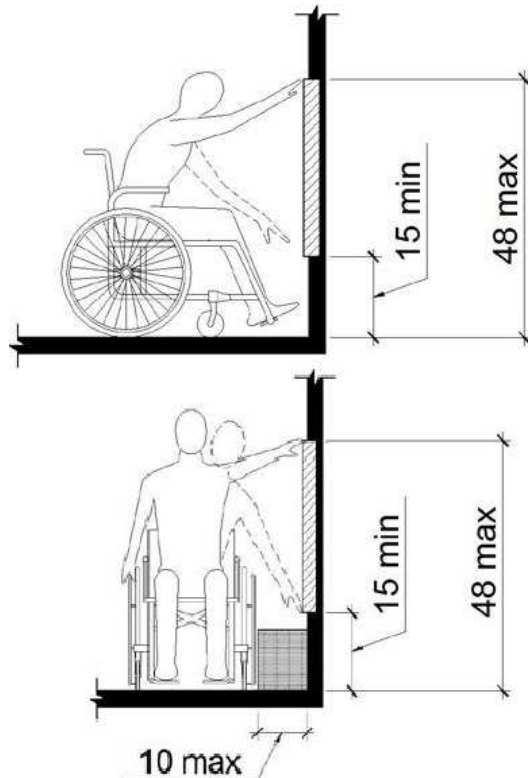
2010 ADAS Section: 308.1

As Built:

128- thermostat and hooks high;
thermostat also lacks CFS

Recommendation:

For deficit, leave as is, employee work area pursuant to 2010 Standards 106.5 Defined Terms, until an employee with a disability works here



Finding #130 Additional Finding Photos



Men' Locker Room

Lat: 41.6549300000, Long: -91.5365200000

Finding: 131

Minimum maneuvering clearances at doors and gates shall comply with 404.2.4. Maneuvering clearances shall extend the full width of the doorway and the required latch side or hinge side clearance.

All interior doors must be maintained so that the operating pressure does not exceed 5 lb. force to open.

Citation:

2010 ADAS Section: 404.2.3, 404.2.7, 404.2.4, 404.2.11, 404.2.11 Exception

1991 ADAS Section: 4.13.1

As Built:

110 locker - 6" to wall on both sides, 12#

Recommendation:

For all doors along the public circulation route, provide required maneuvering clearance on push and pull side of doors

For all doors along the public circulation route, inspect, adjust, and maintain 5 lbf to open interior doors



Finding #131 Additional Finding Photos



Men' Locker Room

Lat: 41.6549300000, Long: -91.5365200000

Finding: 132

The water and drain pipes under the lavatory are not adequately insulated.

Water supply and drain pipes under lavatories and sinks shall be insulated or otherwise configured to protect against contact. There shall be no sharp or abrasive surfaces under lavatories and sinks.

Citation:

2010 ADAS Section: 606.5

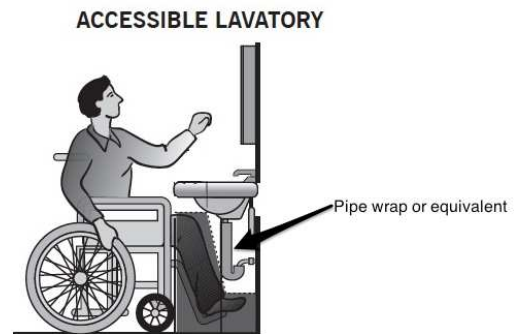
1991 ADAS Section: 4.19.4

As Built:

sink lacks insulation

Recommendation:

Insulate exposed pipes under one sink



Men' Locker Room

Lat: 41.6549300000, Long: -91.5365200000

Finding: 133

There are not enough accessible toilet compartments. 5% and a minimum of 1 toilet compartment must be wheelchair accessible

The room contains 2 toilet compartments. A minimum of 1 must be wheelchair accessible .

Citation:

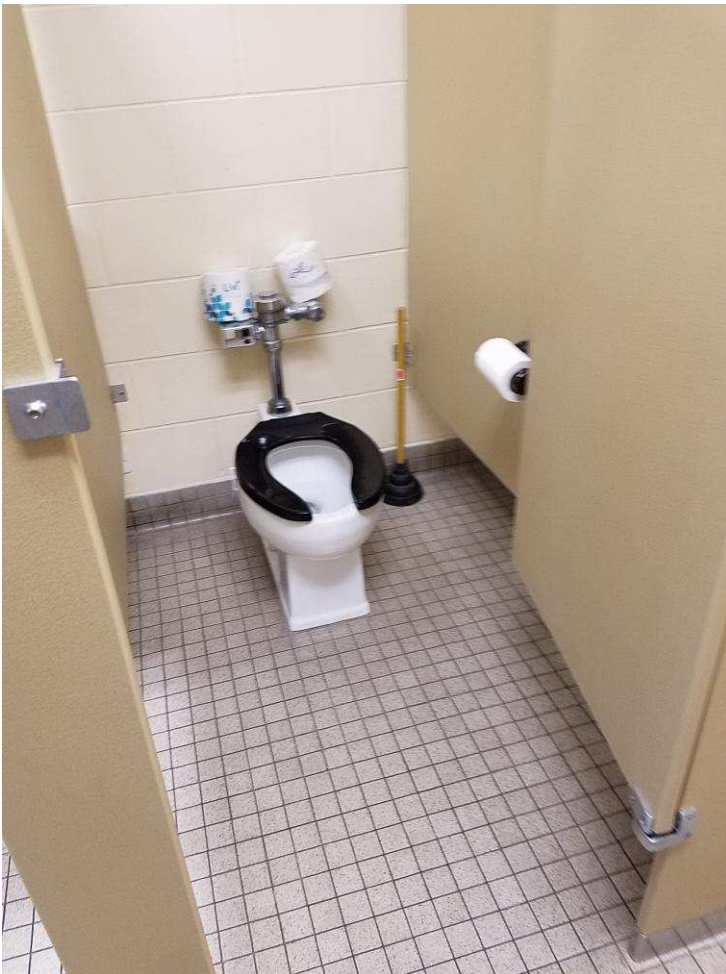
2010 ADAS Section: 213.3.1

As Built:

lacks accessible stall

Recommendation:

Create a wheelchair accessible stall with grab bars and fixtures mounted in correct locations and at correct heights



Finding #133 Additional Finding Photos



Men' Locker Room

Lat: 41.6549300000, Long: -91.5365200000

Finding: 134

The rim of the urinal is too high.

Wall-hung urinals must be provided with an elongated rim projecting a minimum of 13 1/2 inches from the wall and a maximum of 17 inches above the floor.

Citation:

2010 ADAS Section: 605.2

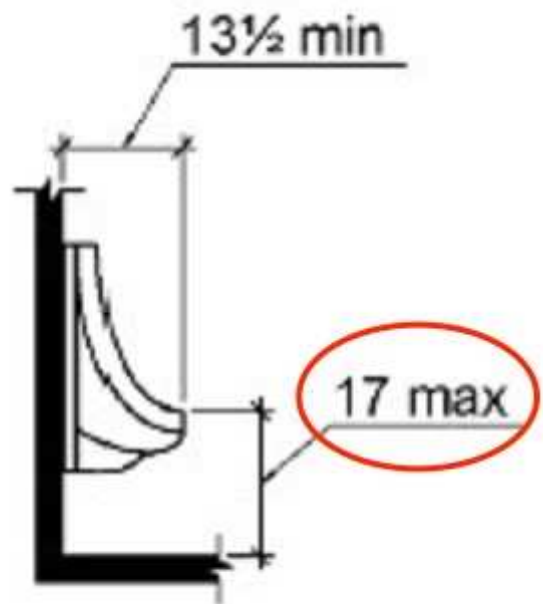
1991 ADAS Section: 4.18.2

As Built:

25" to rim

Recommendation:

Lower urinal so that rim height is max 17" aff



Finding #134 Additional Finding Photos



Men' Locker Room

Lat: 41.6549300000, Long: -91.5365200000

Finding: 135

There is a change in level greater than 1/4 inch.

1/4 inch is the maximum vertical rise. Changes in level between 1/4 inch and 1/2 inch must be beveled at 1:2 or less. Changes in level greater than 1/2 inch must be by way of a ramp.

Citation:

2010 ADAS Section: 303.3

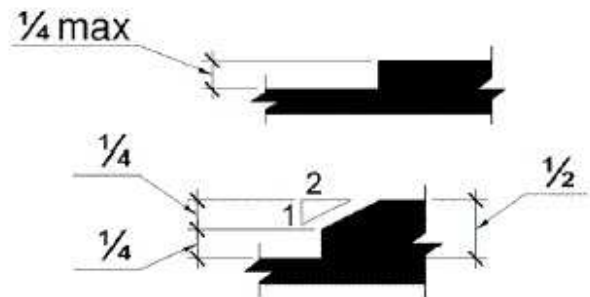
1991 ADAS Section: 4.3.8

As Built:

5.5" CIL to showers

Recommendation:

Repair, bevel or ramp CIL along AR to max .25"



Men' Locker Room

Lat: 41.6549300000, Long: -91.5365200000

Finding: 136

The bench is not wide enough.

Benches shall have seats that are 48 inches long minimum and 20 inches deep minimum and 24 inches deep maximum.

Citation:

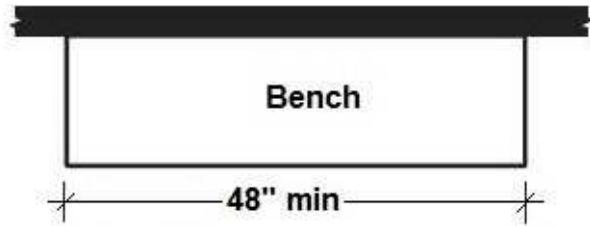
2010 ADAS Section: 903.3

As Built:

9.5" wide

Recommendation:

Replace bench in dressing area with one having a seat depth of 20" to 24" deep, 42" long, affixed to the wall or having a back and mounted 17" to 19" aff



Finding #136 Additional Finding Photos



Men' Locker Room

Lat: 41.6549300000, Long: -91.5365200000

Finding: 137

Accessible lockers are not provided.

5% but not less than one of each type of locker must be accessible. Lockers of different size are considered different types.

Although not specifically required, it is considered "best practices" that accessible elements be identified to prevent confusion for those needing accessible elements and to indicate to those that do not need accessible elements that they should only be used if others are unavailable.

Citation:

2010 ADAS Section: 225.2.1

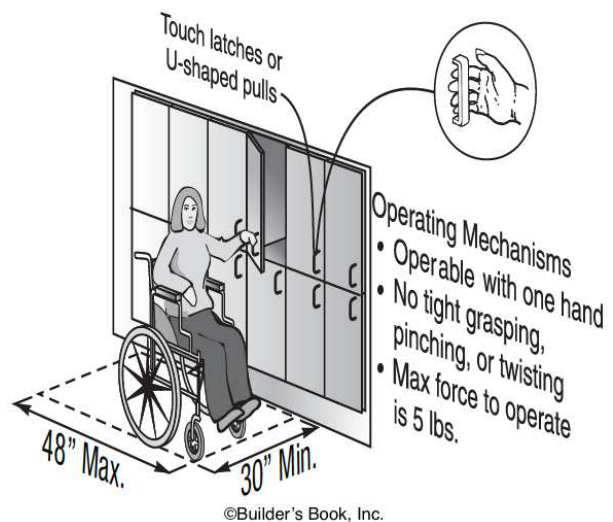
1991 ADAS Section: 4.1.3

As Built:

0 of 61- hooks and shelves too high/low

Recommendation:

Designate 5% or no less than 1 locker as accessible with accessible hardware. Mount signage with the access symbol. Mount hooks and operating mechanisms max 48" aff.



Finding #137 Additional Finding Photos



Men' Locker Room

Lat: 41.6549300000, Long: -91.5365200000

Finding: 138

The soap dispenser's operation mechanism is too high off the floor.

Dispensers must have all operable parts a maximum of 48 inches above the floor.

Citation:

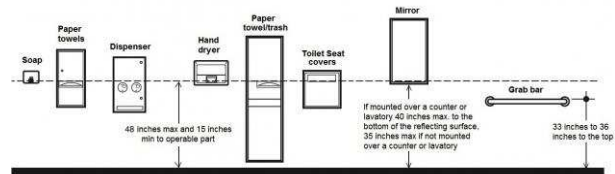
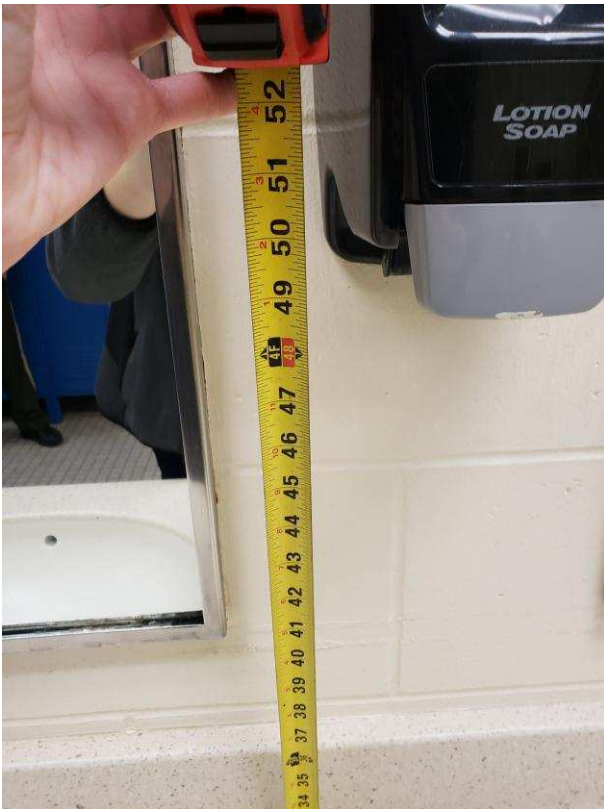
2010 ADAS Section: 308.2.1

As Built:

soap 49" over counter

Recommendation:

Lower soap dispensers to max 44" aff for a forward reach over counter



Finding #138 Additional Finding Photos



Men' Locker Room

Lat: 41.6549300000, Long: -91.5365200000

Finding: 139

The hooks are positioned too high for either a side or front approach.

Where a clear floor or ground space allows a parallel approach to an element and the side reach is unobstructed, the high side reach shall be 48 inches maximum and the low side reach shall be 15 inches minimum above the finish floor or ground.

Where a forward reach is unobstructed, the high forward reach shall be 48 inches maximum and the low forward reach shall be 15 inches minimum above the finish floor or ground.

Citation:

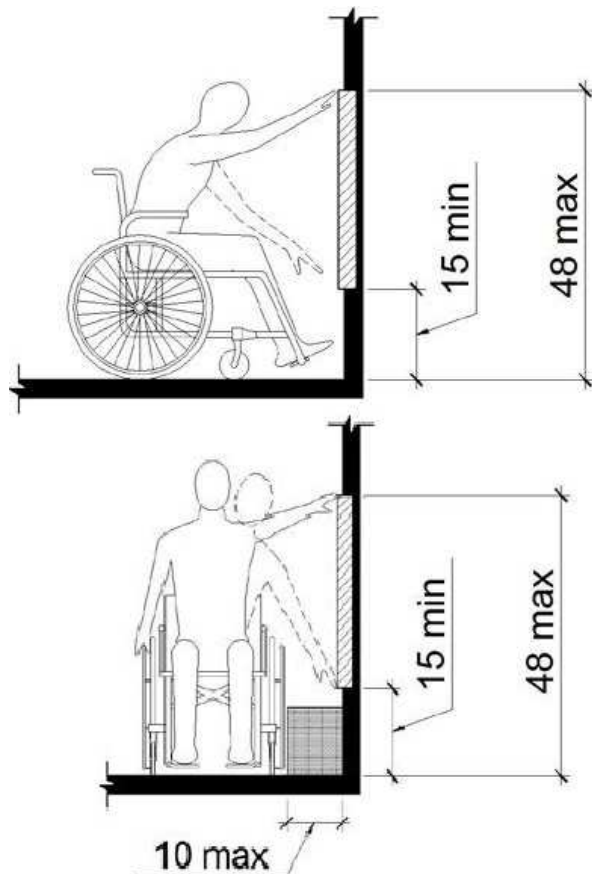
2010 ADAS Section: 308.1

As Built:

hooks high

Recommendation:

Remount operable parts to be in reach range of 15" min to 48" max



Finding #139 Additional Finding Photos



Men' Locker Room

Lat: 41.6549300000, Long: -91.5365200000

Finding: 140

There are no accessible bathing or shower facilities.

Where facilities for bathing are provided for the public, clients or employees, including showers or bathtubs, at least one shower or bathtub and support facilities such as lockers, and not less than 1 percent of all facilities, shall be accessible.

Citation:

2010 ADAS Section: 213.3.6

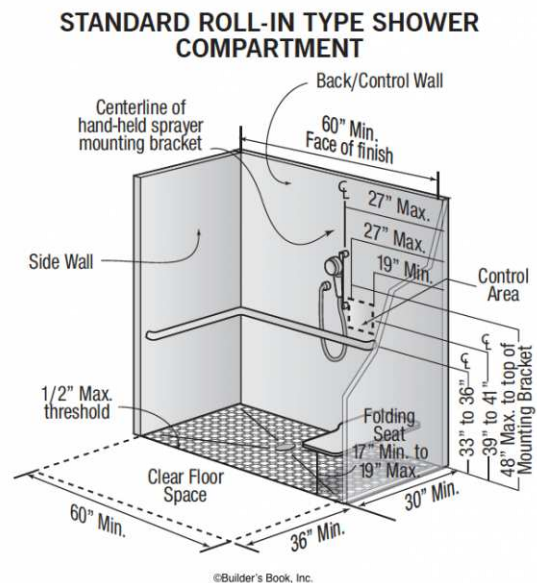
1991 ADAS Section: 4.1.3

As Built:

lacks accessible shower

Recommendation:

Create an accessible shower in locker/bathing room upon renovation



Finding #140 Additional Finding Photos



Women's Locker Room

Lat: 41.6549300000, Long: -91.5365200000

Finding: 141

Minimum maneuvering clearances at doors and gates shall comply with 404.2.4. Maneuvering clearances shall extend the full width of the doorway and the required latch side or hinge side clearance.

All interior doors must be maintained so that the operating pressure does not exceed 5 lb. force to open.

The sweep period for doors with closers shall be adjusted so that from an open position of 70 degrees, the door will take at least 3 seconds to move to a point 3 inches from the latch, measured to the leading edge of the door.

Citation:

2010 ADAS Section: 404.2.3, 404.2.7, 404.2.4,
404.2.11, 404.2.11 Exception

1991 ADAS Section: 4.13.1

As Built:

104 locker - 6" to wall
on both sides, 10#,
fast

Recommendation:

For all doors along the public circulation route, provide required maneuvering clearance on push and pull side of doors

For all doors along the public circulation route, inspect, adjust, and maintain 5 lbf to open interior doors

For all doors along the public circulation route, inspect, adjust, and maintain closing speed on door closers



Finding #141 Additional Finding Photos



Women's Locker Room

Lat: 41.6549300000, Long: -91.5365200000

Finding: 142

The water and drain pipes under the lavatory are not adequately insulated.

Water supply and drain pipes under lavatories and sinks shall be insulated or otherwise configured to protect against contact. There shall be no sharp or abrasive surfaces under lavatories and sinks.

Citation:

2010 ADAS Section: 606.5

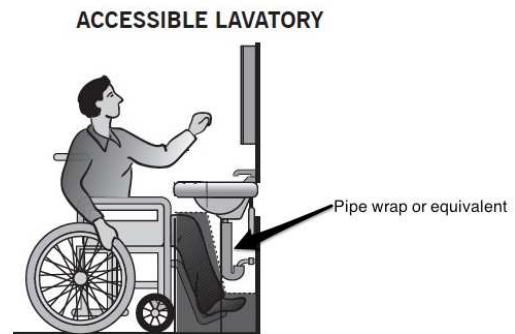
1991 ADAS Section: 4.19.4

As Built:

sink lacks insulation

Recommendation:

Insulate exposed pipes under one sink



Women's Locker Room

Lat: 41.6549300000, Long: -91.5365200000

Finding: 143

There are not enough accessible toilet compartments. 5% and a minimum of 1 toilet compartment must be wheelchair accessible

The room contains 2 toilet compartments. A minimum of 1 must be wheelchair accessible .

Citation:

2010 ADAS Section: 213.3.1

As Built:

lacks accessible stall

Recommendation:

Create a wheelchair accessible stall with grab bars and fixtures mounted in correct locations and at correct heights



Women's Locker Room

Lat: 41.6549300000, Long: -91.5365200000

Finding: 144

There are no accessible bathing and shower facilities.

Where bathtubs or showers are provided, at least one accessible bathtub or at least one accessible shower shall be provided.

Citation:

2010 ADAS Section: 213.3.6

1991 ADAS Section: 4.1.3

As Built:

lacks accessible
shower

Recommendation:

Create accessible shower in each locker room upon renovation



Women's Locker Room

Lat: 41.6549300000, Long: -91.5365200000

Finding: 145

The room does not contain compliant turning space.

Dressing Rooms must contain a 60 inch circular turning space or a T-shaped turning space. Doors shall not swing into the room unless a clear floor or ground space is provided beyond the arc of the door swing.

Citation:

2010 ADAS Section: 803.2

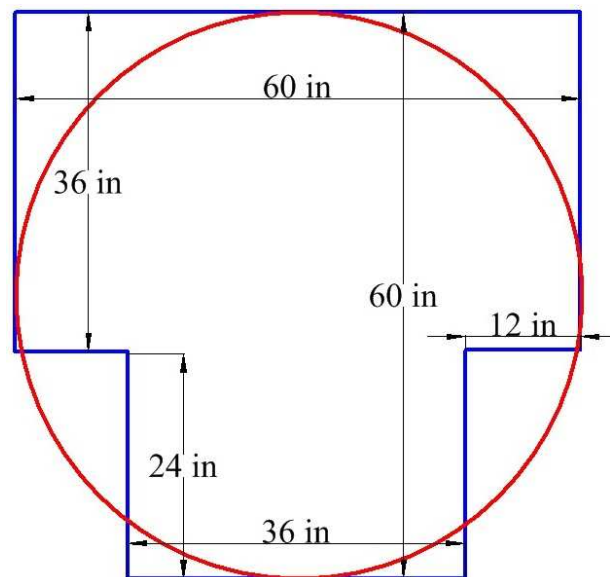
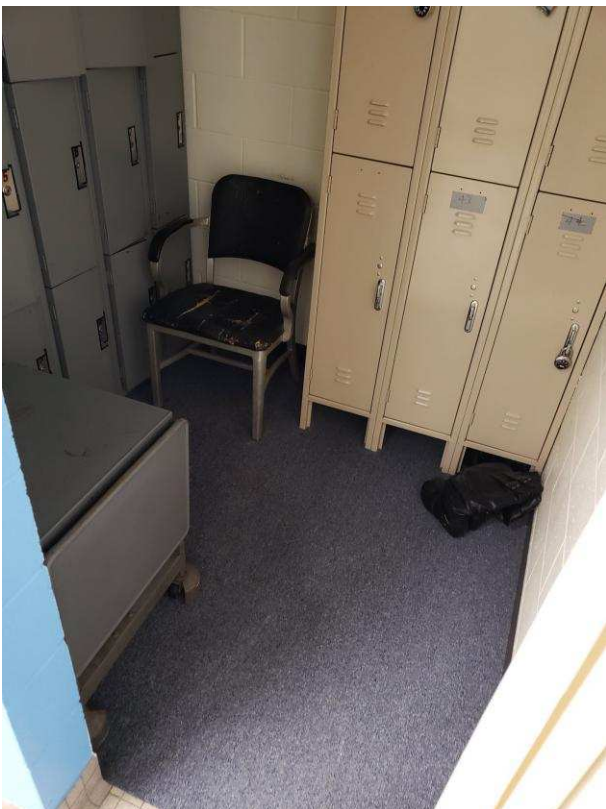
1991 ADAS Section: 4.35.2

As Built:

too small

Recommendation:

Enlarge dressing stalls to 60" by 60" clear inside dimension or remove some items for same



Women's Locker Room

Lat: 41.6549300000, Long: -91.5365200000

Finding: 146

Accessible lockers are not provided.

5% but not less than one of each type of locker must be accessible. Lockers of different size are considered different types.

Although not specifically required, it is considered "best practices" that accessible elements be identified to prevent confusion for those needing accessible elements and to indicate to those that do not need accessible elements that they should only be used if others are unavailable.

Citation:

2010 ADAS Section: 225.2.1

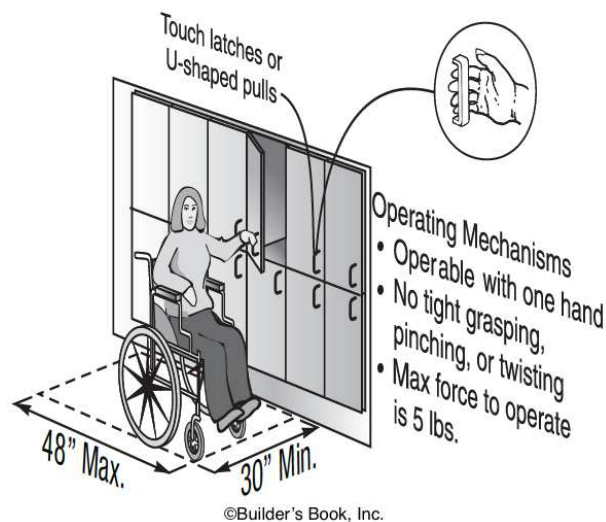
1991 ADAS Section: 4.1.3

As Built:

6 of 24 lockers
accessible but none
designated

Recommendation:

Designate 5% or no less than 1 locker as accessible with accessible hardware. Mount signage with the access symbol. Mount hooks and operating mechanisms max 48" aff.



Women's Locker Room

Lat: 41.6549300000, Long: -91.5365200000

Finding: 147

There is no compliant bench in the locker room.

Every accessible dressing room must have seats that are 42 inches long minimum and 20 inches deep minimum and 24 inches deep maximum. The bench shall provide for back support or shall be affixed to a wall along its long dimension. Back support shall be 48 inches long minimum and shall extend from a point 2 inches maximum above the seat surface to a point 18 inches minimum above the seat surface. Back support shall be 2-1/2 inches maximum from the rear edge of the seat measured horizontally.. The bench must be mounted 17 to 19 inches above the finish floor. A clear floor space measuring 30 inches by 48 inches (or 36 inches by 48 inches if located in an alcove) shall be provided alongside the narrow side of the bench to allow a person using a wheelchair to make a side transfer onto the bench.

Citation:

2010 ADAS Section: 903.4

As Built:

bench fails

Recommendation:

Replace bench in dressing area with one having a seat depth of 20" to 24" deep, 42" long, affixed to the wall or having a back and mounted 17" to 19" aff



Women's Locker Room

Lat: 41.6549300000, Long: -91.5365200000

Finding: 148

The thermostat and hook are positioned too high for either a side or front approach.

Where a clear floor or ground space allows a parallel approach to an element and the side reach is unobstructed, the high side reach shall be 48 inches maximum and the low side reach shall be 15 inches minimum above the finish floor or ground.

Where a forward reach is unobstructed, the high forward reach shall be 48 inches maximum and the low forward reach shall be 15 inches minimum above the finish floor or ground.

Citation:

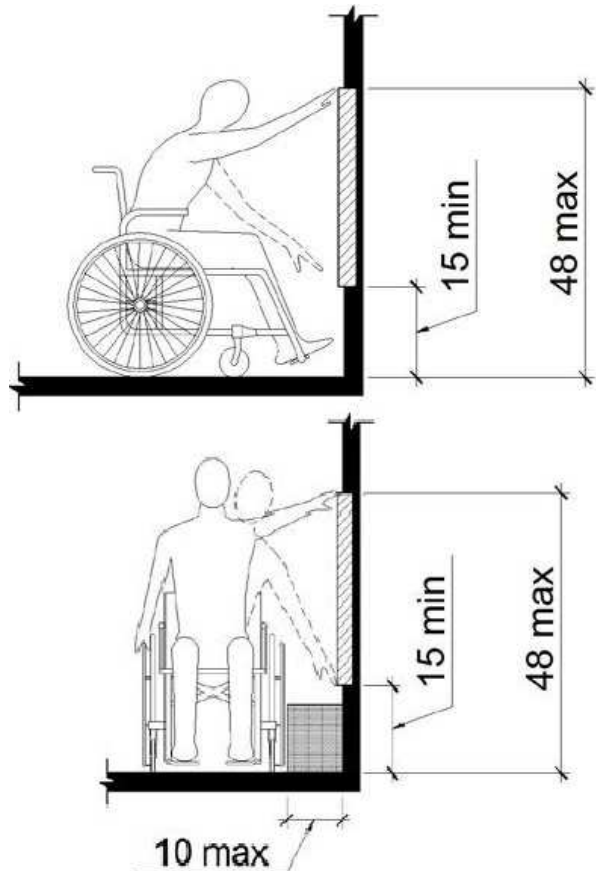
2010 ADAS Section: 308.1

As Built:

thermostat and hook
high

Recommendation:

Remount at least one hook to be in reach range of 15" min to 48" max; leave as is thermstat



Finding #148 Additional Finding Photos



Women's Locker Room

Lat: 41.6549300000, Long: -91.5365200000

Finding: 149

The towel dispenser projects more than 4 inches into the circulation path.

Wall-mounted objects that have leading edges between 27 inches and 80 inches from the floor must not project more than 4 inches into the circulation path. Protruding objects that extend to the floor or within 27 inches of the floor are cane detectable and are therefore not hazardous. Where it is necessary or desirable to have objects protrude from the wall, a manner of cane detection must be provided.

Citation:

2010 ADAS Section: 307.2

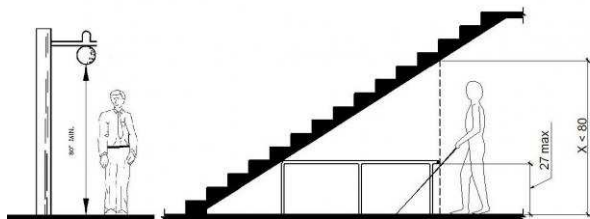
1991 ADAS Section: 4.4.1

As Built:

paper towels 6"

Recommendation:

Relocate protruding objects or place cane detectable warning or bollard at foot of item



Finding #149 Additional Finding Photos



Jail

Lat: 41.6549300000, Long: -91.5365200000

Finding: 150

Door openings shall provide a clear width of 32 inches (815 mm) minimum. Clear openings of doorways with swinging doors shall be measured between the face of the door and the stop, with the door open 90 degrees. Openings more than 24 inches (610 mm) deep shall provide a clear opening of 36 inches (915 mm) minimum. There shall be no projections into the required clear opening width lower than 34 inches (865 mm) above the finish floor or ground. Projections into the clear opening width between 34 inches (865 mm) and 80 inches (2030 mm) above the finish floor or ground shall not exceed 4 inches (100 mm).

All interior doors must be maintained so that the operating pressure does not exceed 5 lb. force to open.

Doors, gates, and side lights adjacent to doors or gates, containing one or more glazing panels that permit viewing through the panels shall have the bottom of at least one glazed panel located 43 inches (1090 mm) maximum above the finish floor.

EXCEPTION: Vision lights with the lowest part more than 66 inches (1675 mm) from the finish floor or ground shall not be required to comply with 404.2.11.

Citation:

2010 ADAS Section: 404.2.3, 404.2.7, 404.2.4,
404.2.11, 404.2.11 Exception

1991 ADAS Section: 4.13.1

As Built:

Kitchen - 30" wide
,44" window, 18#

Recommendation:

For all doors along the public circulation route, replace doors with doors having 80" overhead clearance and 32" clear width

For all doors along the public circulation route, inspect, adjust, and maintain 5 lbf to open interior doors

For all doors along the public circulation route, replace doors with ones having sidelight viewing windows max 43" aff

Finding #150 Continued



Finding #150 Additional Finding Photos



Jail

Lat: 41.6549300000, Long: -91.5365200000

Finding: 151

Door openings shall provide a clear width of 32 inches (815 mm) minimum. Clear openings of doorways with swinging doors shall be measured between the face of the door and the stop, with the door open 90 degrees. Openings more than 24 inches (610 mm) deep shall provide a clear opening of 36 inches (915 mm) minimum. There shall be no projections into the required clear opening width lower than 34 inches (865 mm) above the finish floor or ground. Projections into the clear opening width between 34 inches (865 mm) and 80 inches (2030 mm) above the finish floor or ground shall not exceed 4 inches (100 mm).

Hand-activated door opening hardware, handles, pulls, latches, locks, and other operating devices on accessible doors shall have a shape that is easy to grasp with one hand and does not require tight grasping, tight pinching or twisting of the wrist to operate. Hardware shall be 34 inches minimum and 48 inches maximum above the finish floor or ground.

Citation:

2010 ADAS Section: 404.2.3, 404.2.7, 404.2.4,
404.2.11, 404.2.11 Exception

1991 ADAS Section: 4.13.1

As Built:

Kitchen RR - 30" wide
, knob

Recommendation:

For all doors along the public circulation route, replace doors with doors having 80" overhead clearance and 32" clear width

For all doors along the public circulation route, replace hardware with lever hardware or hardware operable without a tight pinch or grasp



Finding #151 Additional Finding Photos



Jail

Lat: 41.6549300000, Long: -91.5365200000

Finding: 152

The restroom is not nearly compliant.

The restroom does not have the required minimum clear floor space or maneuvering clearances for the toilet, The restroom does not have the required minimum clear floor space or maneuvering clearances for the lavatory, The entry door does not contain the required minimum maneuvering spaces on the pull/push sides, The entry door encroach into the required clear floor space for fixtures, Grab bars are missing and/or incorrectly installed, Accessories, such as toilet seat covers, paper towel holders, garbage cans, hand dryers, and mirrors are either too high or without clear floor space or both.

Citation:

2010 ADAS Section: 603.1

1991 ADAS Section: 4.17.1

As Built:

kitchen RR - not accessible

Recommendation:

Create a compliant wheelchair accessible restroom and correct all features to be accessible upon renovation



Jail

Lat: 41.6549300000, Long: -91.5365200000

Finding: 153

There is insufficient turning space within this room or space.

The space required for a wheelchair to make a 180-degree turn is a clear space of 60 inches in diameter or a T-shaped space.

Citation:

2010 ADAS Section: 304.3.1, 304.3.2

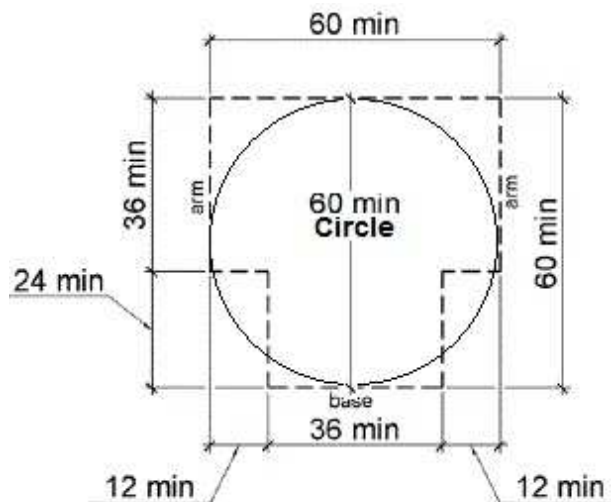
1991 ADAS Section: 4.2.3

As Built:

Kitchen storage -
furniture and supplies
prohibit AR and
turning

Recommendation:

For deficit, leave as is, employee work area pursuant to 2010 Standards 106.5 Defined Terms, until an employee with a disability works here



Finding #153 Additional Finding Photos



Jail

Lat: 41.6549300000, Long: -91.5365200000

Finding: 154

Door openings shall provide a clear width of 32 inches (815 mm) minimum. Clear openings of doorways with swinging doors shall be measured between the face of the door and the stop, with the door open 90 degrees. Openings more than 24 inches (610 mm) deep shall provide a clear opening of 36 inches (915 mm) minimum. There shall be no projections into the required clear opening width lower than 34 inches (865 mm) above the finish floor or ground. Projections into the clear opening width between 34 inches (865 mm) and 80 inches (2030 mm) above the finish floor or ground shall not exceed 4 inches (100 mm).

All interior doors must be maintained so that the operating pressure does not exceed 5 lb. force to open.

Doors, gates, and side lights adjacent to doors or gates, containing one or more glazing panels that permit viewing through the panels shall have the bottom of at least one glazed panel located 43 inches (1090 mm) maximum above the finish floor.

EXCEPTION: Vision lights with the lowest part more than 66 inches (1675 mm) from the finish floor or ground shall not be required to comply with 404.2.11.

Citation:

2010 ADAS Section: 404.2.3, 404.2.7, 404.2.4, 404.2.11, 404.2.11 Exception

1991 ADAS Section: 4.13.1

As Built:

Kitchen fridge area
exit - 30" wide ,44"
window, 18#

Recommendation:

For all doors along the public circulation route, replace doors with doors having 80" overhead clearance and 32" clear width

For all doors along the public circulation route, inspect, adjust, and maintain 5 lbf to open interior doors

For all doors along the public circulation route, replace doors with ones having sidelight viewing windows max 43" aff

Jail

Lat: 41.6549300000, Long: -91.5365200000

Finding: 155

Door openings shall provide a clear width of 32 inches (815 mm) minimum. Clear openings of doorways with swinging doors shall be measured between the face of the door and the stop, with the door open 90 degrees. Openings more than 24 inches (610 mm) deep shall provide a clear opening of 36 inches (915 mm) minimum. There shall be no projections into the required clear opening width lower than 34 inches (865 mm) above the finish floor or ground. Projections into the clear opening width between 34 inches (865 mm) and 80 inches (2030 mm) above the finish floor or ground shall not exceed 4 inches (100 mm).

All interior doors must be maintained so that the operating pressure does not exceed 5 lb. force to open.

Doors, gates, and side lights adjacent to doors or gates, containing one or more glazing panels that permit viewing through the panels shall have the bottom of at least one glazed panel located 43 inches (1090 mm) maximum above the finish floor.

EXCEPTION: Vision lights with the lowest part more than 66 inches (1675 mm) from the finish floor or ground shall not be required to comply with 404.2.11.

Citation:

2010 ADAS Section: 404.2.3, 404.2.7, 404.2.4,
404.2.11, 404.2.11 Exception

1991 ADAS Section: 4.13.1

As Built:

kitchen fridge area -
30" wide, window
43.5", 16#

Recommendation:

For all doors along the public circulation route, replace doors with doors having 80" overhead clearance and 32" clear width

For all doors along the public circulation route, inspect, adjust, and maintain 5 lbf to open interior doors

For all doors along the public circulation route, replace doors with ones having sidelight viewing windows max 43" aff

Finding #155 Continued



Finding #155 Additional Finding Photos



Jail

Lat: 41.6549300000, Long: -91.5365200000

Finding: 156

All interior doors must be maintained so that the operating pressure does not exceed 5 lb. force to open.

Doors, gates, and side lights adjacent to doors or gates, containing one or more glazing panels that permit viewing through the panels shall have the bottom of at least one glazed panel located 43 inches (1090 mm) maximum above the finish floor.

EXCEPTION: Vision lights with the lowest part more than 66 inches (1675 mm) from the finish floor or ground shall not be required to comply with 404.2.11.

Citation:

2010 ADAS Section: 404.2.3, 404.2.7, 404.2.4,
404.2.11, 404.2.11 Exception

As Built:

N Stair 2nd fl - 18#,
53.75" window

1991 ADAS Section: 4.13.1

Recommendation:

For all doors along the public circulation route, inspect, adjust, and maintain 5 lbf to open interior doors

For all doors along the public circulation route, replace doors with ones having sidelight viewing windows max 43" aff



Jail

Lat: 41.6549300000, Long: -91.5365200000

Finding: 157

Minimum maneuvering clearances at doors and gates shall comply with 404.2.4. Maneuvering clearances shall extend the full width of the doorway and the required latch side or hinge side clearance.

Door openings shall provide a clear width of 32 inches (815 mm) minimum. Clear openings of doorways with swinging doors shall be measured between the face of the door and the stop, with the door open 90 degrees. Openings more than 24 inches (610 mm) deep shall provide a clear opening of 36 inches (915 mm) minimum. There shall be no projections into the required clear opening width lower than 34 inches (865 mm) above the finish floor or ground. Projections into the clear opening width between 34 inches (865 mm) and 80 inches (2030 mm) above the finish floor or ground shall not exceed 4 inches (100 mm).

Doors, gates, and side lights adjacent to doors or gates, containing one or more glazing panels that permit viewing through the panels shall have the bottom of at least one glazed panel located 43 inches (1090 mm) maximum above the finish floor.

EXCEPTION: Vision lights with the lowest part more than 66 inches (1675 mm) from the finish floor or ground shall not be required to comply with 404.2.11.

Citation:

2010 ADAS Section: 404.2.3, 404.2.7, 404.2.4, 404.2.11, 404.2.11 Exception

1991 ADAS Section: 4.13.1

As Built:

control center 208-
window 48", 31" wide,
chair on pull

Recommendation:

For all doors along the public circulation route, provide required maneuvering clearance on push and pull side of doors

For all doors along the public circulation route, replace doors with doors having 80" overhead clearance and 32" clear width

For all doors along the public circulation route, replace doors with ones having sidelight viewing windows max 43" aff

Finding #157 Continued



Finding #157 Additional Finding Photos



Jail

Lat: 41.6549300000, Long: -91.5365200000

Finding: 158

The fire pull is not accessible because there is not adequate clear floor space for either a forward or side approach.

The clear floor or ground space shall be 30 inches minimum by 48 inches minimum.

Citation:

2010 ADAS Section: 305.3

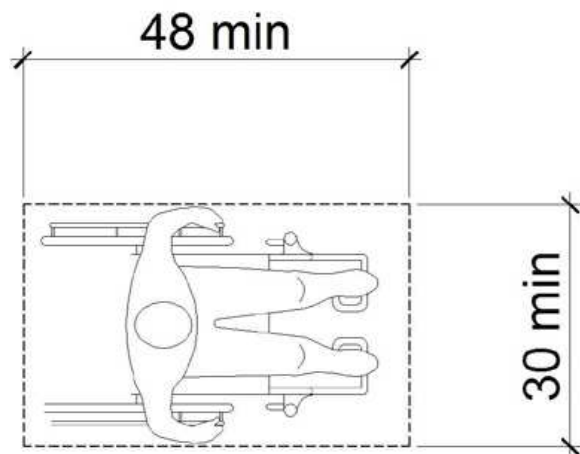
1991 ADAS Section: 4.2.4.1

As Built:

control room- fire pull

Recommendation:

For deficit, leave as is, employee work area pursuant to 2010 Standards 106.5 Defined Terms, until an employee with a disability works here



Jail

Lat: 41.6549300000, Long: -91.5365200000

Finding: 159

The route of travel at this location does not provide a minimum width of 36 inches.

The clear width shall be permitted to be reduced to 32 inches minimum for a length of 24 inches maximum provided that reduced width segments are separated by segments that are 48 inches long minimum and 36 inches wide minimum.

Citation:

2010 ADAS Section: 403.5.1

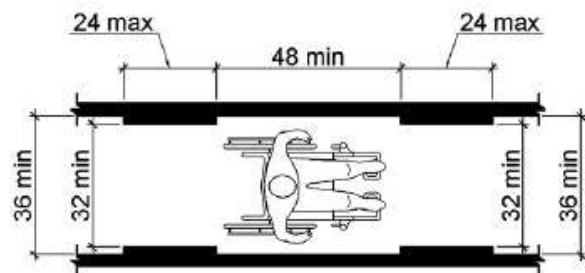
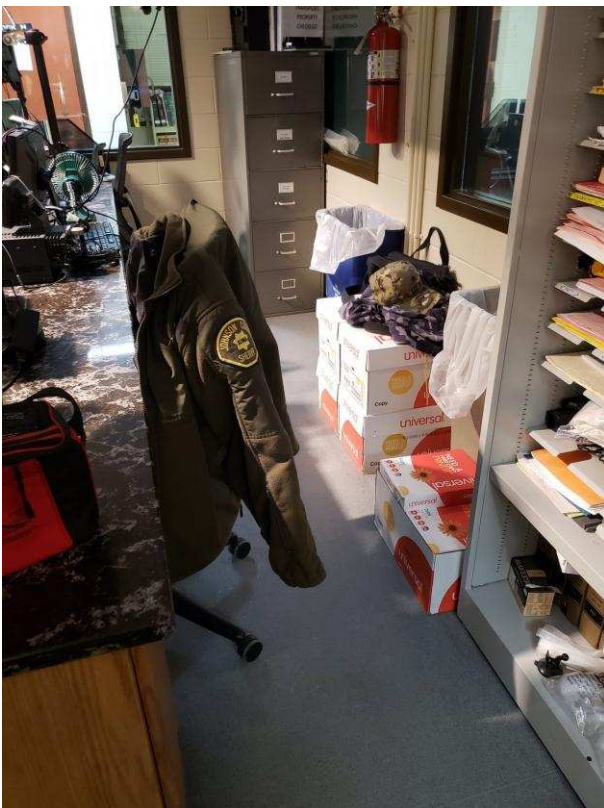
1991 ADAS Section: 4.3.3

As Built:

control center-
narrows back of room
to fire extinguisher

Recommendation:

For deficit, leave as is, employee work area pursuant to 2010 Standards 106.5 Defined Terms, until an employee with a disability works here



Jail

Lat: 41.6549300000, Long: -91.5365200000

Finding: 160

The ATM projects more than 4 inches into the circulation path.

Wall-mounted objects that have leading edges between 27 inches and 80 inches from the floor must not project more than 4 inches into the circulation path. Protruding objects that extend to the floor or within 27 inches of the floor are cane detectable and are therefore not hazardous. Where it is necessary or desirable to have objects protrude from the wall, a manner of cane detection must be provided.

Citation:

2010 ADAS Section: 307.2

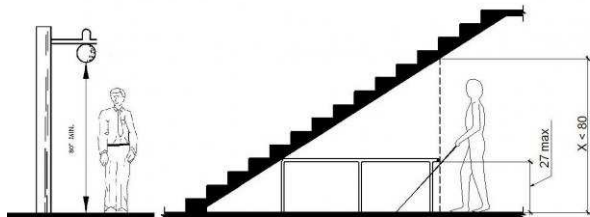
1991 ADAS Section: 4.4.1

As Built:

visiting room- ATM
extends too far

Recommendation:

Relocate protruding objects or place cane detectable warning or bollard at foot of item



Finding #160 Additional Finding Photos



Jail

Lat: 41.6549300000, Long: -91.5365200000

Finding: 161

The ATM and video screen is not accessible because there is not adequate clear floor space for either a forward or side approach.

The clear floor or ground space shall be 30 inches minimum by 48 inches minimum.

Citation:

2010 ADAS Section: 305.3

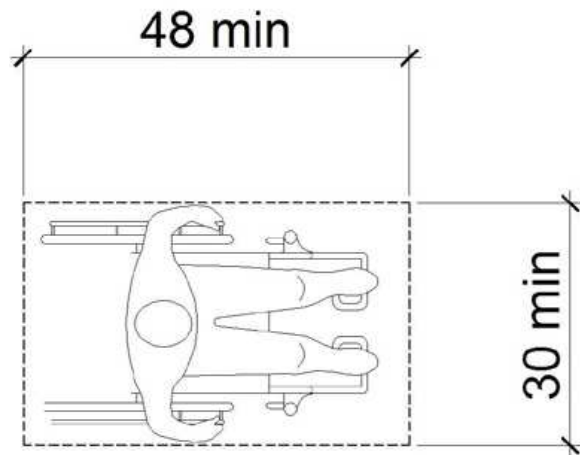
1991 ADAS Section: 4.2.4.1

As Built:

visiting room- ATM
and visiting video

Recommendation:

Remove, or relocate storage in CFS at fixtures and operable parts along the AR



Finding #161 Additional Finding Photos



Jail

Lat: 41.6549300000, Long: -91.5365200000

Finding: 162

There are several items that are positioned too high for either a side or front approach.

Where a clear floor or ground space allows a parallel approach to an element and the side reach is unobstructed, the high side reach shall be 48 inches maximum and the low side reach shall be 15 inches minimum above the finish floor or ground.

Where a forward reach is unobstructed, the high forward reach shall be 48 inches maximum and the low forward reach shall be 15 inches minimum above the finish floor or ground.

Citation:

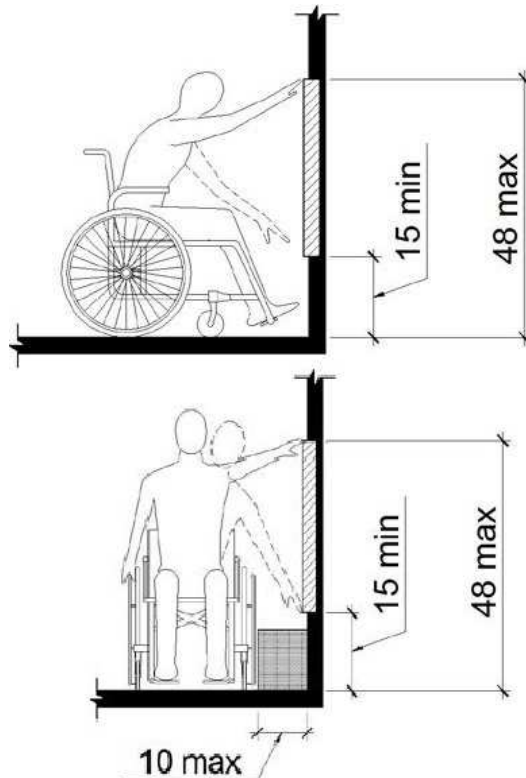
2010 ADAS Section: 308.1

As Built:

kitchen- fire pull,
ansul pull,
thermostat, paper,
phone, microwave

Recommendation:

For deficit, leave as is, employee work area pursuant to 2010 Standards 106.5 Defined Terms, until an employee with a disability works here



Finding #162 Additional Finding Photos



Jail

Lat: 41.6549300000, Long: -91.5365200000

Finding: 163

The sink is not accessible.

A clear floor space at least 30 inches by 48 shall be provided in front of a sink to allow forward approach.

-The clear floor space shall be on an accessible route and shall extend a maximum of 19 inches underneath the sink.

-Sinks shall be mounted with the counter or rim no higher than 34 inches above the finish floor.

-Knee clearance at least 27 inches high, 30 inches wide and 19 inches deep shall be provided.

-Hot water and drain pipes exposed under sinks shall be insulated or otherwise configured so as to protect against contact. There shall be no sharp or abrasive surfaces under sinks.

-Faucet controls not require tight grasping, pinching or twisting of the wrist.

-The force required to activate controls shall be not greater than 5 lb. Lever-operated, push-type and electronically controlled mechanisms are examples of acceptable designs.

-Self-closing valves are allowed if the faucet remains open for at least 10 seconds.

Citation:

2010 ADAS Section: 606.2

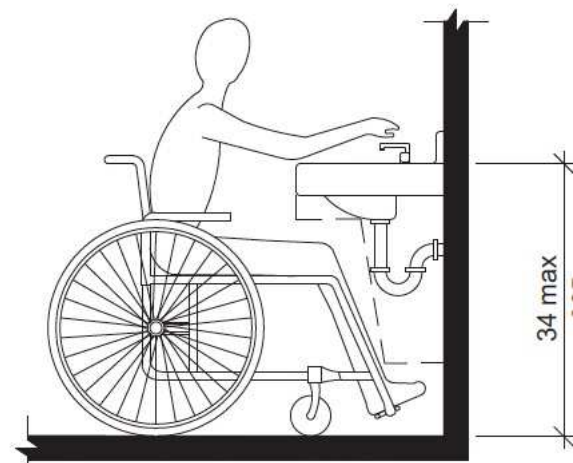
1991 ADAS Section: 4.24.5

As Built:

kitchen- lacks knee clearance at single handwash

Recommendation:

For deficit, leave as is, employee work area pursuant to 2010 Standards 106.5 Defined Terms, until an employee with a disability works here



Jail

Lat: 41.6549300000, Long: -91.5365200000

Finding: 164

There is insufficient turning space within this room or space.

The space required for a wheelchair to make a 180-degree turn is a clear space of 60 inches in diameter or a T-shaped space.

Citation:

2010 ADAS Section: 304.3.1, 304.3.2

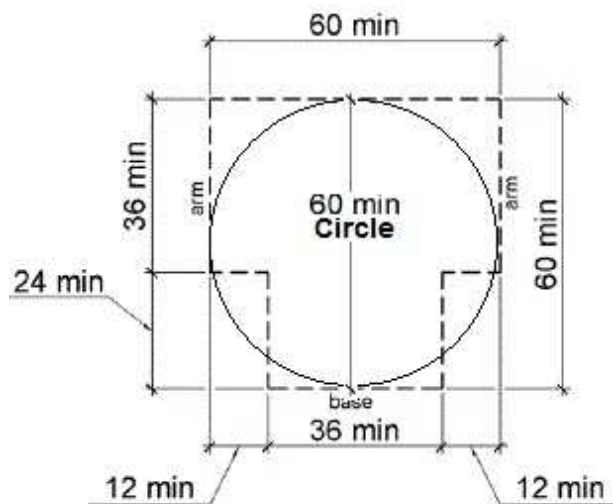
1991 ADAS Section: 4.2.3

As Built:

janitor- storage

Recommendation:

For deficit, leave as is, employee work area pursuant to 2010 Standards 106.5 Defined Terms, until an employee with a disability works here



Jail

Lat: 41.6549300000, Long: -91.5365200000

Finding: 165

There is insufficient turning space within this room or space.

The space required for a wheelchair to make a 180-degree turn is a clear space of 60 inches in diameter or a T-shaped space.

Citation:

2010 ADAS Section: 304.3.1, 304.3.2

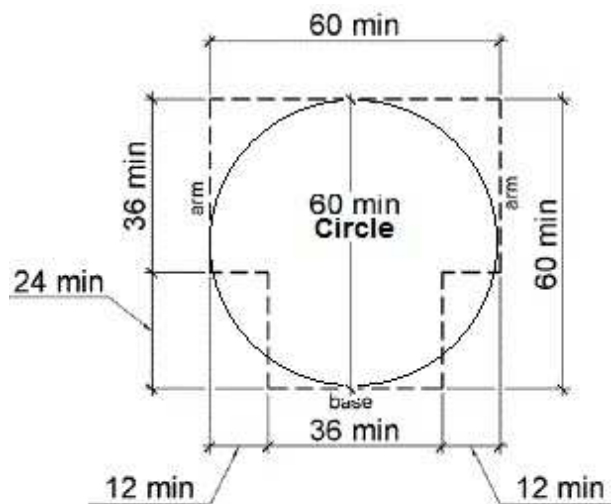
1991 ADAS Section: 4.2.3

As Built:

kitchen with canning-table obstructs turning

Recommendation:

For deficit, leave as is, employee work area pursuant to 2010 Standards 106.5 Defined Terms, until an employee with a disability works here



Jail

Lat: 41.6549300000, Long: -91.5365200000

Finding: 166

The sink is not accessible.

A clear floor space at least 30 inches by 48 shall be provided in front of a sink to allow forward approach.

-The clear floor space shall be on an accessible route and shall extend a maximum of 19 inches underneath the sink.

-Sinks shall be mounted with the counter or rim no higher than 34 inches above the finish floor.

-Knee clearance at least 27 inches high, 30 inches wide and 19 inches deep shall be provided.

-Hot water and drain pipes exposed under sinks shall be insulated or otherwise configured so as to protect against contact. There shall be no sharp or abrasive surfaces under sinks.

-Faucet controls not require tight grasping, pinching or twisting of the wrist.

-The force required to activate controls shall be not greater than 5 lb. Lever-operated, push-type and electronically controlled mechanisms are examples of acceptable designs.

-Self-closing valves are allowed if the faucet remains open for at least 10 seconds.

Citation:

2010 ADAS Section: 606.2

1991 ADAS Section: 4.24.5

As Built:

kitchen- pipes lack
insualtion and
garbage in CFS

Recommendation:

For deficit, leave as is, employee work area pursuant to 2010 Standards 106.5 Defined Terms, until an employee with a disability works here

